

DSA-2101/2102

Network Digital Signage Player



Features

- Multi-zone display with video & audio, graphics, and text
- Update content and schedule over network without interrupting content playback
- Supports MPEG 1/2/4 and DivX 5.0 video format; JPEG and BMP graphics
- Supports 16:9 and 4:3 display in landscape or portrait mode
- Supports HDTV resolution; automatically scales up SD content to HD output
- Excellent reliability: fanless design with built-in heat dispersion
- Flexible scheduling capability
- Low energy consumption and RoHS compliant
- Optional AV-input function for external video & audio input

Introduction

The Advantech DSA-2102 series Network Digital Signage Player receives media content such as video, audio, graphics, and text via an IP network, and stores the content in its internal hard disk drive. The content is displayed according to either a pre-defined playlist or network commands. The DSA-2102 series features the most advanced decoder and graphic processor available. It outputs both digital and analog video signals for modern, high definition display devices: plasma, LCD screens, and projectors. The DSA-2102 is an ideal networked digital content player for advertising, presentations, training, and other media applications.

Specifications

Play Contents		
Video	MPEG-1, MPEG-2 MP @ ML up to 14 Mbps, MPEG-4 ASP	
Audio	2 channels, MPEG-1 and MPEG-2 Layers I, II and III (MP3), 16-bit PCM, bit rate up to 384 kbps, sample rate up to 48 kHz	
Graphic	32-bit color with transparency BMP, JPEG	
Text	Scrollable text, variable scrolling speed and position	
Playlist	Scheduling playback, endless loop playback, auto play after power on	
Input and Output Ports		
Video Input *	Composite	1 x RCA jack
Audio Input *	R/L channel analog	2 x Unbalanced stereo RCA jack
Video Output	DVI digital and analog	1 x VESA DVI-I connector, up to 720P HD, 1280 x 720 @ 60 Hz
	Composite	1 x RCA jack
	S-Video	1 x Mini-DIN 4-pin connector
Audio Output	R/L channel analog	2 x Unbalanced stereo RCA jack
Network	10/100 Mbps	1 x RJ-45
Serial Port	RS-232C	1 x D-sub 9-pin (male)
USB	USB 2.0 Host	2 x USB type A
Network Protocol	Supports HTTP, DHCP	
System		
Internal Storage	40 GB HDD (for DSA-2102), 512 MB Disk-on-Module (for DSA-2101)	
Dimensions (W x H x D)	211 x 153 x 43 mm (not including mounting bracket and I/O connector) (8.3" x 6" x 1.7")	
Net Weight	Approx. 1.7 kg (for DSA-2102); approx. 1.1 kg (for DSA-2101)	
Power Consumption	Approx. 15 W (for DSA-2102); approx. 7 W (for DSA-2101)	
Power Supply	DC 12V input	
Operating Temperature	0 to 40° C, Humidity 5 – 85% @ 40° C	

* AV-ins is an optional function only available with the DSA-2102V.

Benefits

Rich Content Presentation & Maximum Advertising Efficiency

Advantech's DSA-2102 series Digital Signage solution supports MPEG 1/2/4, DivX 5, MP3 and other formats for video & audio, and JPEG and BMP formats for graphics. Scrolling text displays multiple languages. Advantech offers user-definable layout templates with multiple zones of display to deliver maximized advertising efficiency for our customers.

Advanced Playback

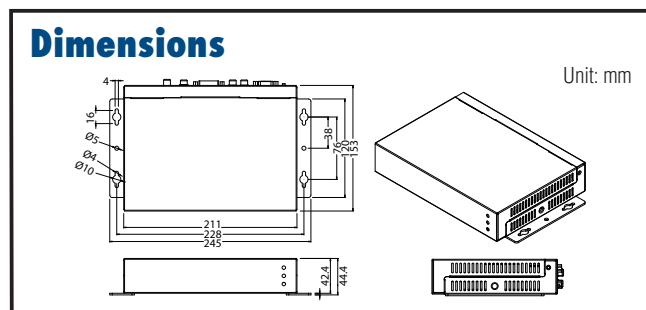
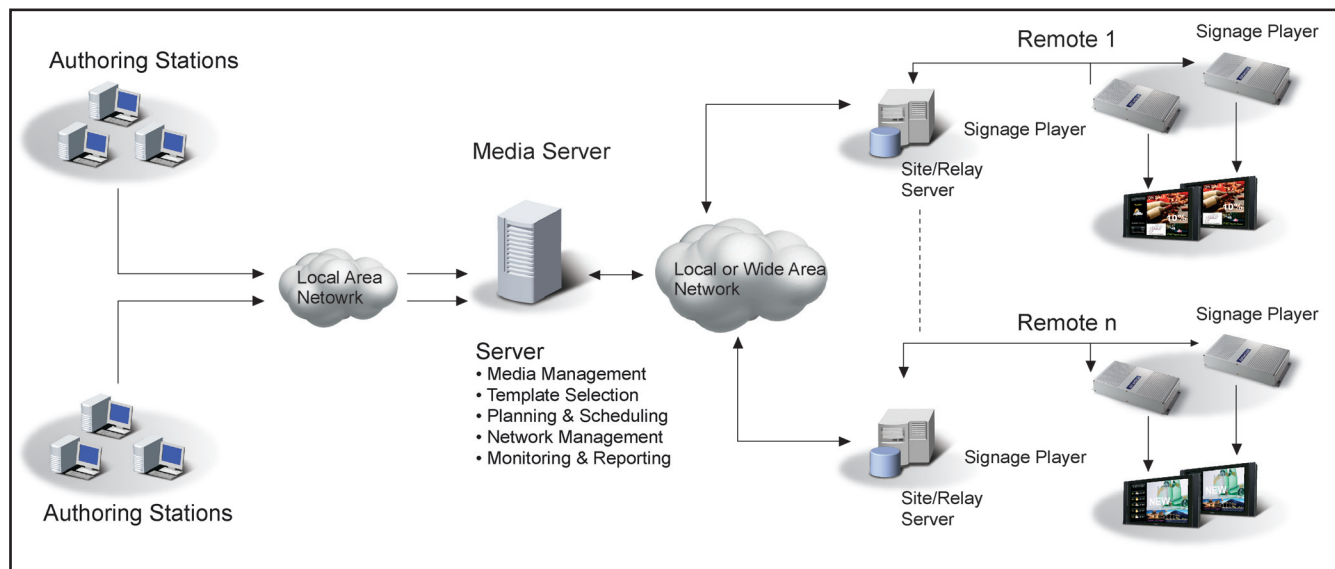
	Via Composer	Via Software Development Kit
4:3 Aspect Ratio	640 x 480, 800 x 600, 1024 x 768	640 x 480, 800 x 600, 1024 x 768, 1280 x 1024*
16:9 Aspect Ratio	1280 x 720 (720p)	848 x 480, 1024 x 576, 1280 x 720 (720p), 1366 x 768*
TV Signal	PAL, NTSC	PAL, NTSC

Note*: Maximized layout resolution that DSA-2102/ DSA-2101 series can support as 1024 x 768 (4:3) and 1280 x 720 (16:9); utilize Advantech Configurator to scale up the signal resolution to 1280 x 1024 (4:3) and 1366 x 768 (16:9). Portrait mode requires pre-rotated contents.

Optimized Internal Storage Utilization and Content Management

The DSA-2102 is equipped with a 40 GB hard disk drive which can store up to 18 hours of compressed video at 4 Mbps. Playback, operation, and transmission logs and reports are available to support client billing and error tracking.

System Configuration



Back I/O Ports



Power Cord Option

Part Number	Descriptions
1702002600	Power cord, 180 cm, 180D, US/UL
1702031836	Power cord, 180 cm, 180D, AU/SAA
1702002605	Power cord, 180 cm, 90D, EU/CE
1702031801	Power cord, 180 cm, 90D, UK/5A fuse

Ordering Information

Part Number	Descriptions
DSA-2101E	DSA-2101, 512 MB storage
DSA-2102E	DSA-2102, 40 GB storage
DSA-2102VE	DSA-2102V, 40 GB storage, AV-in