

# EH-7100G

## Residential Terminal with Hands-free Operation



### Features

- 10 programmable function keys
- Supports card reader mechanism
- GPIO ports reserve for control signals
- Built-in speaker/microphone
- 10.4" TFT LCD with T/S
- Wall mounting kit and Desktop-stand available

### Introduction

The EH-7100G Series is an AMD Geode™ GX-1 300 MHz CPU-based Home Terminal with multiple user-friendly interfaces. Its application-ready platform comes with a built-in Windows® CE or Linux OS, making it ideal for home networking.

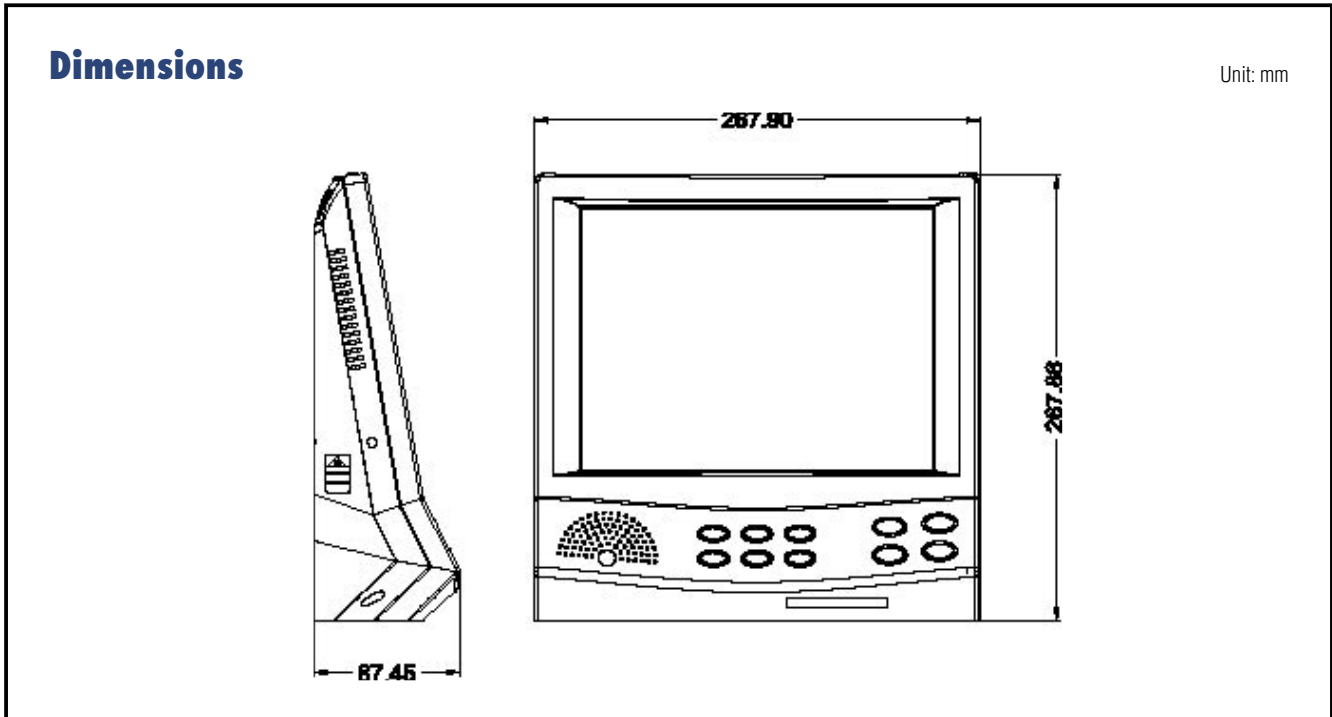
The EH-7100G series allows users to easily manage home appliances, enable remote monitoring/security and integrate Internet service. This cutting edge technology is equipped with a 10.4" touchscreen LCD display and 10 customized short-cut keys, providing the ultimate in convenience and ease of use for all family members. A 10/100Base-T Ethernet port and PCMCIA slot offer Ethernet and wireless LAN access. With Smart Card ready capability, the EH-7100G series can also serve as a reliable and secure platform for e-commerce transactions at home.

### Specifications

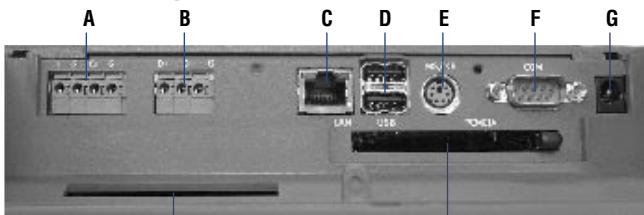
| Specifications                         |                              | EH-7100G/GH   |
|--|------------------------------|---|
| <b>CPU</b>                             |                              | AMD GX1 300 MHz   |
| <b>Display</b>                         | Panel type                   | TFT color LCD   |
|  | Screen Size                  | 10.4" (Diagonal)  |
|  | Resolution                   | 800 (H) x 600 (V)   |
|  | Touchscreen                  | Resistive   |
| <b>Memory</b>                          | Working                      | 64 MB/128 MB SDRAM  |
|  | Storage                      | Internal Type II CompactFlash™ up to 256 MB or E-IDE 2.5" HDD |
| <b>Audio</b>                           | Speaker                      | 1 W x 1   |
|  | Microphone                   | internal  |
| <b>Smart Card Reader</b>               | Meets ISO-7816 and EMV spec. | Optional  |
|  | Ethernet Card                | Yes   |
| <b>Expandible PCMCIA Slot</b>          | 802.11b Wireless LAN Card    | Yes   |
|  | Type 1 CompactFlash™         | Yes   |
| <b>Interface for User</b>              | Stylus Pen                   | Yes   |
|  | Hotkeys                      | 10 Keys   |
|  | LED                          | Yes   |
|  | Built-in MIC & Speaker       | Yes   |
| <b>Interface for System Integrator</b> | Optional Smart Card Reader   | Yes   |
|  | IDE CompactFlash Socket      | Yes   |
|  | IDE Header Connector         | Yes   |
| <b>Interface to Home Appliances</b>    | PS-2 port                    | Yes   |
|  | RS-485/RS-422 port           | Yes   |
|  | RS-232 port                  | Yes   |
| <b>Interface to Door Phone</b>         | Audio Signal Interface       | Yes   |
|  | Door un-lock Button          | Yes   |

|                                  |  |                     |
|----------------------------------|--|---------------------|
| <b>Interface to the Internet</b> | 10/100Base-T Ethernet Port                                       | Yes                 |
| <b>Expandable PCMCIA Slot</b>    | Ethernet Card  | Yes                 |
|                                  | 802.11b Wireless LAN Card  | Yes                 |
|                                  | Type 1 CompactFlash™   | Yes                 |
| <b>I/O Ports</b>                 | RS-232   | 1                   |
|                                  | RS-485/RS-232 Terminal Connector                                 | 1                   |
|                                  | USB  | 2                   |
|                                  | RJ-45  | 1                   |
|                                  | PS/2   | 1                   |
| <b>Handset</b>                   |  | Optional            |
| <b>LCD Backlight off</b>         |  | Yes                 |
| <b>Power</b>                     | A/C in Voltage   | 100 ~ 240 V         |
|                                  | A/C line Frequency   | 47 ~ 63 Hz          |
|                                  | Power Consumption  | < 48 W              |
| <b>Hot Keys</b>                  | Basic Keys x 4; Open Door/Door phone/Emergency/Message           | Yes                 |
|                                  | Customized x 6; Control/Security/Assistant/Calendar/News/Contact | Yes                 |
| <b>Operation System</b>          | Windows® CE 3.0  | Yes                 |
|                                  | Linux  | Yes                 |
|                                  | Windows™ 98  | Yes                 |
| <b>Installation</b>              |  | Wall Mount          |
| <b>Fanless</b>                   |  | Yes                 |
| <b>Dimensions (W x H x D)</b>    |  | 268 x 270 x 90.5 mm |
| <b>Weight</b>                    |  | 2.0 kg              |
| <b>Operating Temperature</b>     |  | 40° C               |
| <b>Certificates</b>              |  | UL, FCC/CE Class B  |

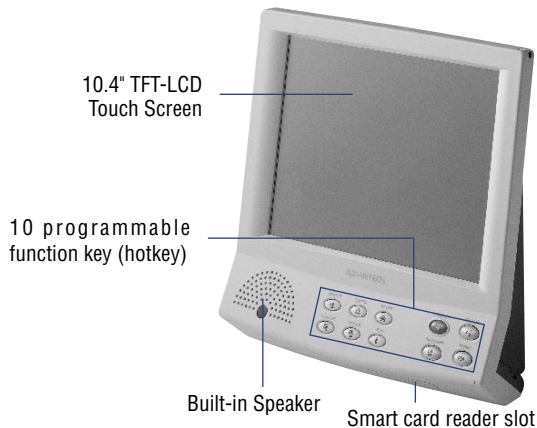
- 1**  
General Purpose Panel Computers
- 2**  
Open-frame Panel Computers
- 3**  
Medical Computing Platforms
- 4**  
Smart Home Networking Platforms



**Fully-Integrated I/O**



- A. DI/O (Digital Input/Output)
- B. Panel LED Indicator
- C. 10/100Base-T Ethernet Port
- D. 2 USB Port
- E. PS2 Mouse / Keyboard Port
- F. COM / RS-232 Port
- G. DC Power Inlet
- H. PCMCIA Slot
- I. Smart Card Reader Slot



**Packing List Information**

- Mounting Rack
- Screw Packs
- AC/DC Power Adapter
- User Manual

**Ordering Information**

**The EH-7100G Series**

- **EH-7100G** 10.4" Home Terminal with 64 MB DRAM, DC adaptor and Wall mount kit
- **EH-7100GH** 10.4" Home Terminal with 128 MB DRAM, 10 G HDD, DC adaptor and Wall mount kit
- **EH-7100G-CE** EH-7100G with 64 MB CompactFlash card, Windows® CE OS
- **EH-7100GH-98** 10.4" Home Terminal with 128 MB DRAM, 10 G HDD, DC adaptor and wall mount kit, Windows® 98