

POC-174

17" Medical Panel Display Console



Features

- Medical Panel Display for eHealthcare/Medical Applications
- 17" LCD display
- Spill and dust resistant
- Trim Knob Hotkey (optional)
- USB 2.0 Hub function
- UL2601-1/EN60601-1, CE & FCC Class B certified

Introduction

The POC-174 is a medical-grade Point-of-Care Panel PC with a 17" display. It has been designed with minimal power leakage and low EMI, and has been EN60601-1 and UL2601-1 approved. This ensures that there is no interference with medical equipment that can pose a health risk for patients. The POC-174 has also been approved with IP65/NEMA 4 and IPX1 for dust-resistance and water spills.

Like the other products in the POC series, the POC-174 has all the characteristics needed for use in critical medical environments. Its high brightness, resolution, and contrast ratio LCD display is especially suitable for medical diagnosis and treatment methods like: CT diagnosis, electrical X-ray, PACS and DICOM. With a wide range of I/O options, the POC series also provide full function I/O ports to act as secure and practical healthcare terminals for patients and practitioners.

Specifications

General

- **Dimension (W x H x D)** 437 x 377 x 131 mm (17.20" x 14.84" x 5.15")
- **Weight** 12 kg (26.5 lb)
- **Power Supply**
AC model: 180 watt
Input voltage: 100 ~ 240 V_{AC}, 4 A max. @ 50 ~ 60 Hz
Output voltages: +5 V @ 12 A, +12 V @ 12 A
+3.3 V @ 16.8 A, +5 Vsb @ 2.0 A, -12 V @ 0.8 A
DC model:
Input voltage: +24 V_{DC}, 7.5 A max
Output voltage: +5 V @ 10 A, +12 V @ 4 A,
-12 V @ 1 A, +3.3 V @ 8 A, +5 Vsb @ 0.75 A
- **Cooling Fan (L x W x H)** 60 x 60 x 10 mm (2.4" x 2.4" x 2.4")
- **Front Panel** IP65/NEMA compliant

Standard PC Functions

- **CPU** Intel® Pentium® 4 Mobile up to 2.4 GHz (Long term support with 1.7 GHz and 2.2 GHz)
- **Memory** Two 184-pin DIMM socket accepts up to 2 GB DDR 333/266 DRAM
- **HDD** One 2.5" IDE HDD
- **FDD** 1.44 MB
- **CD ROM** Slim type (Optional: CD-RW/DVD-ROM)
- **PCMCIA** Type II x 2

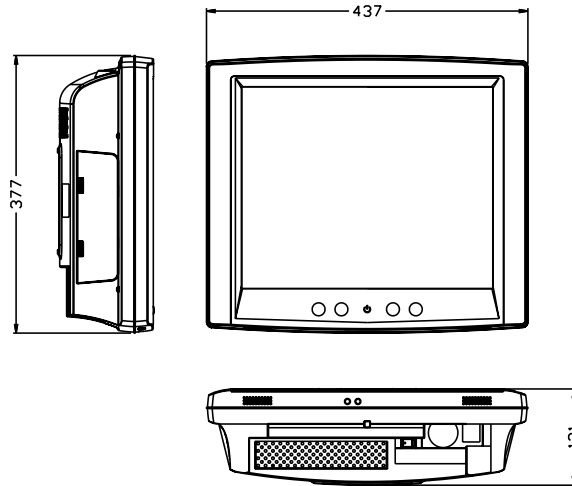
- **I/O Ports & Speakers** 4 Serial ports: RS-232 x 3, RS-232/422/485 x 1,
1 Parallel port
2 USB ports
1 PS/2 mouse and keyboard interface
Mic-in
Line-in
Speaker-out
1 W speakers x 2
- **Network (LAN)** 10/100Base-T Ethernet interface x 2
- **Bus Expansion** One PCI 2.2 expansion slot
- **Optional** 802.11b wireless antenna with wireless LAN PCMCIA module

Display Specifications

- **Display Type** 17" TFT LCD
- **Max. Resolution** 1280 x 1024
- **Colors** 16.7 M (8 bits/color)
- **Dot Size (mm)** 0.264 x 0.264
- **Viewing Angle** 170°
- **Luminance** 250 cd/m²
- **Contrast Ratio** 600:1
- **LCD MTBF** 50,000 hours
- **Backlight Lifetime** 40,000 hours

Dimensions

Unit: mm



Specifications Cont.

Environmental Specifications

- **Temperature** 0 ~ 40° C
- **Relative Humidity** 10 ~ 95% @ 40° C (non-condensing)
- **Shock** 50 G peak acceleration (11 msec duration)
- **Power MTBF** 100,000 hrs
- **Certifications** CE, FCC, VCCI, BSMI approved
- **AC Model** UL60950, UL60601-1, EN60950, EN60601-1 approved
- **DC Model** FCC, UL60601-1, EN60601-1 approved

Touchscreen

- **Type** Analog Resistive
- **Resolution** Continuous
- **Light Transmission** 75%
- **Controller** RS-232 interface (use COM4)
- **Durability** 30 million touches

Ordering Information

- **POC-174CD-AC-A** POC-174 Bare with CDROM/AC input
- **POC-174CD-AC-AT** POC-174 Bare with CDROM/AC input /Res.TS
- **POC-174CB-AC-A** POC-174 Bare with COMBO/AC input
- **POC-174CB-AC-AT** POC-174 Bare with COMBO/AC input /Res.TS
- **POC-174 w/ 24 V_{DC} Inlet** Production upon order received

Options

- 802.11b wireless antenna with wireless LAN PCMCIA module

Mounting

- **VESA** 75 x 75 mm, 100 x 100 mm

