

# PPC-123T

Panel PC with 12.1" Color TFT LCD and Intel® Pentium® III/Intel Celeron® processor



## Features

- 12.1" TFT SVGA LCD
- Intel® Pentium® III CPU up to 1.26 GHz or Intel Celeron® CPU up to 1.2 GHz
- System memory up to 1 GB SDRAM
- Built-in FDD / CD-ROM drive / speakers
- Built-in PCMCIA Type II x 2
- One PCI/ISA expansion slot
- 10/100Base-T Ethernet
- IrDA Data transmission

## Introduction

PPC-123T is an Intel Pentium III Socket 370 based Panel PC with 12.1" TFT color LCD (resolution up to 800 x 600). It features multimedia devices, various connectors, and can be installed in virtually any application. In addition, its user-friendly interface serves as a great host for information appliances.

## Specifications

- **CPU** Supports Socket 370 based Pentium® III CPU up to 1.26 GHz or Celeron™ CPU up to 1.2 GHz
- **Disk Drive Housing** Room for one 2.5" HDD
- **Dimensions (W x H x D)** 375 x 285.5 x 104.4 mm (14.76" x 11.24" X 4.11")
- **Weight** 5.2 kg (11.5 lbs)
- **Front Panel Protection** IP 65/NEMA 4 compliant
- **HDD** IDE HDD interface (2.5" HDD bay)
- **CD-ROM Drive** Compact 24X or above
- **DVD-ROM Drive** Optional 6X or above
- **CD-RW Drive** Optional 8X/4X/24X or above
- **Memory** Supports up to 1 GB SDRAM (168-pin)
- **FDD** Supports 720 KB / 1.44 MB FDD
- **Network (LAN)** 10/100Base-T Ethernet interface
- **I/O ports**
  - 4 serial ports: RS-232 x 3, RS-232/422/485 x 1
  - 1 parallel port, 2 USB ports
  - PCMCIA Type II x 2
  - 1 PS/2 mouse and keyboard interface
  - Mic-in, Line-in, Line-out, and game port
- **Bus Expansion** One expansion slot for half-size PCI/ISA card

### Power Supply

#### AC Model

- **Output Rating** 80 W (max.)
- **Input Voltage** 100 ~ 250 V<sub>AC</sub>, auto-switching @ 50 ~ 60 Hz
- **Output Voltage** +5 V @ 12 A, +12 V @ 1 A

#### DC 24/48V Model

- **Output Rating** 74 watts
- **Input Voltage** 18 V<sub>DC</sub> ~ 56 V<sub>DC</sub>, typical 24 V<sub>DC</sub> @ 7 A max, 48 V<sub>DC</sub> @ 4 A max
- **Output Voltage** +5 V @ 10A, +12 V @ 1.5 A

#### DC 12V Model (optional)

- **Output Rating** 80 watts

- **Input Voltage** 9 V<sub>DC</sub> ~ 18 V<sub>DC</sub>, typical 12 V<sub>DC</sub> @ 12A max
- **Output Voltage** +5 V @ 10A, +12 V @ 1.5A

### Environmental Specifications

- **Operating Temperature** 0 ~ 45° C (32 ~ 113° F)
- **Relative Humidity** 10 ~ 95 % @ 40° C, non-condensing
- **Shock** 10 G peak acceleration (11 msec. duration)
- **EMC** BSMI, VCCI, CE, FCC Class B, CCC
- **Safety** UL, CSA, CE

### Touchscreen (Optional)

Types	Analog Resistive	Capacitive	Infrared
<b>Resolution</b>	Continuous	1024 x 1024	4096 x 4096
<b>Light Transmission</b>	75%	85%	91%
<b>Controller</b>	RS-232 interface(uses COM4)		
<b>Power Consumption</b>	+5 V @ 200 mA	+5 V @ 100 mA	+5 V @ 150 mA
<b>Software Driver</b>	Supports both DOS and Windows		
<b>Durability (Touches lifetime)</b>	30 million	20 million	100,000hrs

### LCD Display

- **Display Type** Color TFT LCD
- **Size (Diagonal)** 12.1"
- **Max. Resolution** 800 x 600
- **Max. Colors or Grayscale** 256 K
- **Pixel Pitch (mm)** 0.31 x 0.31
- **Luminance (cd/m<sup>2</sup>)** 300
- **Viewing Angle** 45° (left), 45° (right), 10° (up), 30° (down)
- **Operating Temperature** 0 ~ 50° C
- **VR Controls** Brightness
- **Simultaneous Mode** Yes
- **LCD MTBF** 50,000 hrs.
- **Backlight MTBF** 50,000 hrs.

## Ordering Information

- **PPC-123T** **(Bare BOM: PPC-123T-CBAR)**  
Panel PC with 12.1" TFT LCD display  
(resolution: 800 x 600)
- **PPC-123T-RT** **(Bare BOM: PPC-123T-CBAR-T)**  
PPC-123T with resistive touchscreen
- **PPC-123T-CT** **(Bare BOM: PPC-123T-CBAR-C)**  
PPC-123T with capacitive touchscreen
- **PPC-123T-SR** **(Bare BOM: PPC-123T-CBAR-SR)**  
PPC-123T with Infrared touchscreen with sunlight  
readable panel
- **PPC-123EW-CBA-T** PPC-123T Bare BOM without PCMCIA/CD-ROM, with  
100NITs panel and resistive touchscreen
- **PPC-123T-DC** **(Bare BOM: PPC-123DC-CBAR)**  
PPC-123T with DC power supply (74W 24 V<sub>DC</sub>/48 V<sub>DC</sub>  
are standard; 12 V<sub>DC</sub> is optional)
- **PPC-123T-DC-RT** **(Bare BOM: PPC-123DC-CBA-T)**  
PPC-123T-DC with resistive touchscreen  
(74W 24 V<sub>DC</sub>/48 V<sub>DC</sub> are standard; 12 V<sub>DC</sub> is optional)
- **PPC-120 STAND** Stand kit for PPC-154/153/150 and PPC-123/120  
series
- **PPC-120 SWINGARM** Swing arm kit for PPC-123/120 series
- **PPC-120 WL-MT** Wall mount kit for PPC-154/153/150 and  
PPC-123/120 series
- **PPC-ARM-A02** VESA standard ARM for PPC-123/153 series

\* Intel Pentium III and Celeron CPUs, SDRAM and 2.5" HDD are available as optional items.

\* FDD, CD-ROM and PCMCIA are removable as OEM items

\* Infrared touchscreen and sunlight readable panel can be separated as OEM items

## Feature Details

### Protection

To meet the requirements of a public environment, the front panel of PPC-123T complies with the IP65/NEMA 4 protection standard. Furthermore, the watchdog timer and power management features make the system secure and stable. The onboard hardware monitoring feature provides automatic protection function, which prevents the CPU from becoming overheated.

### Networking

Four serial ports and a 10/100Base-T Ethernet controller give the PPC-123T advanced networking capabilities and provide a great solution for versatile applications.

### Expansion

To extend functionality, the PPC-123T is designed with one expansion slot for PCI/ISA cards, two USB (Universal Serial Bus) ports, and one PCMCIA card bus (Type II x 2). With these expansion capabilities, the PPC-123T does not only function as a HMI, but also as a computing center around which to build your application.

### Touchscreen Options

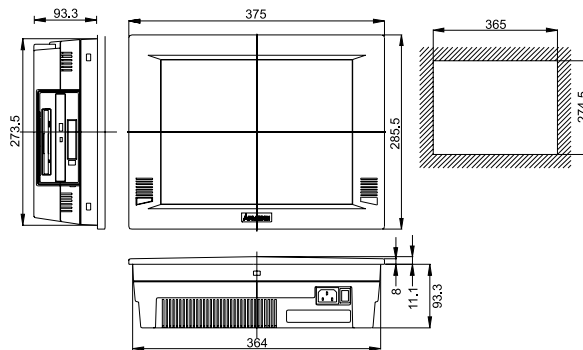
You can choose from three optional types of standardized touchscreens: resistive, capacitive and SAW (Surface Acoustic Wave). These options make the PPC-123T a more user-friendly interface for different environments.

Side-access CD-ROM, FDD and PCMCIA slot

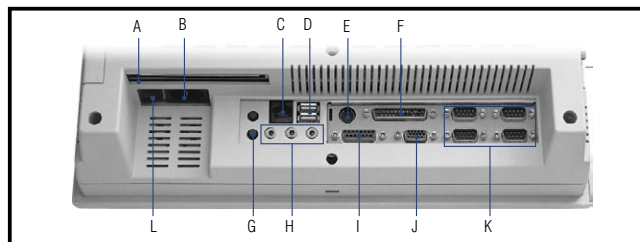


## Dimensions

Unit: mm



## Fully Integrated I/O



- |                               |                            |
|-------------------------------|----------------------------|
| A. Expansion slot (PCI/ISA)   | G. VR                      |
| B. AC-inlet                   | H. Mic-in/Line-out/Line-in |
| C. 10/100Base-T Ethernet port | I. MIDI/Game port          |
| D. USB                        | J. VGA port                |
| E. Keyboard/Mouse             | K. COM ports               |
| F. Parallel port              | L. Power switch            |