

IPC-6606

6-slot Desktop/Wallmount Chassis with PS/2 Power Supply



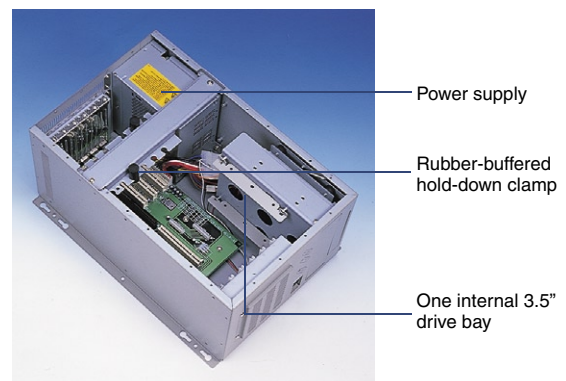
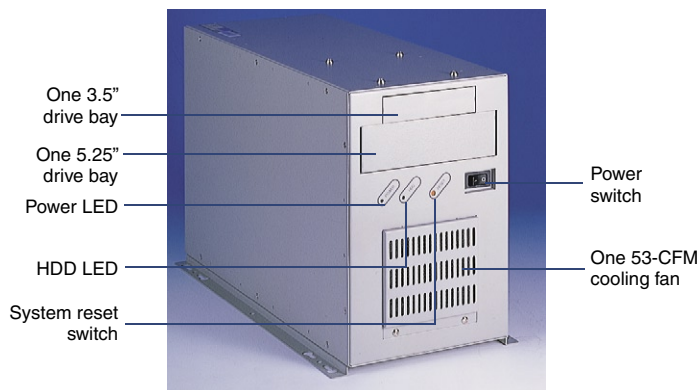
Features

- Cost-effective wallmount/desktop IPC chassis
- Bidirectional options to mount the chassis on the wall or workbench
- Accepts up to 5 ISA/PCI full-length peripheral cards
- One 5.25" and one 3.5" front accessible disk drive bays, plus one internal 3.5" HDD
- One 53-CFM cooling fan with air filter
- 250 W and 300 W ATX power supply options



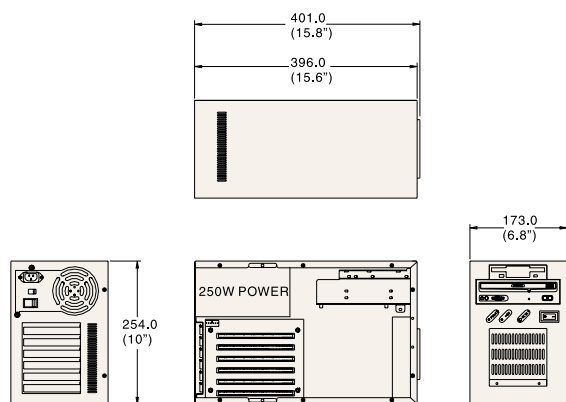
Specifications

Drive Bay	3.5"	Front-accessible	Internal
	5.25"	1	1
Cooling	Fan	1 (53 CFM)	-
	Air Filter	Yes	
Miscellaneous	Control	Front panel reset switch, rear panel power supply	
	Indicator	LEDs for power On/Off and HDD activity	
Environment	Temperature	0 ~ 40 °C (32 ~ 104 °F), operating	
	Humidity	10 ~ 85 % @ 40 °C, non-condensing	
Physical Characteristics	Dimensions (W x H x D)	173 x 254 x 396 mm (6.8" x 10" x 15.6")	
	Weight	6.2 kg (13.7 lb)	



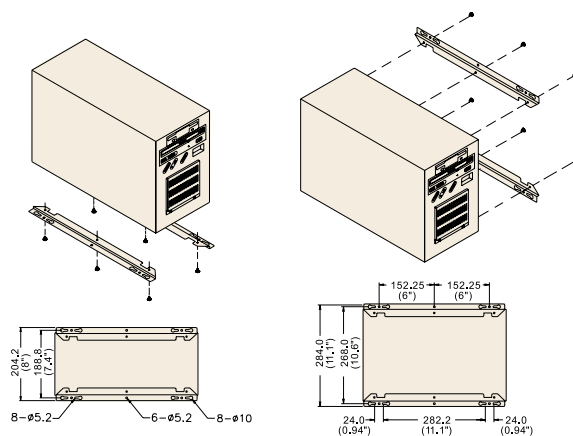
- 1 Industrial Motherboards
- 2 Industrial Motherboard Chassis
- 3 PICMG Single Board Computers
- 4 Industrial Computer Chassis
- 5 Industrial Computer Peripherals
- 6 6U CompactPCI Enclosures
- 7 6U CompactPCI Boards
- 8 6U CompactPCI I/O
- 9 6U CompactPCI Accessories
- 10 3U CompactPCI Systems
- 11 Internet Security Platforms
- 12 Network Application Ready Platforms

Dimension Diagram



Unit: mm (inch)

Installation



Power Supply Options

Part Number	Watt	Input	Output	Specifications		
				Mini-load	Safety	MTBF
PS-250ATX-Z (ATX, PFC)	250 W	AC 115 / 230 V (Selectable)	+5 V @ 27 A +3.3 V @ 20 A +12 V @ 13 A -12 V @ 0.8 A -5 V @ 0.3 A +5 Vsb @ 2 A	+5 V @ 0.5 A +12 V @ 0.3 A	UL/TUV/CB/CCC	100,000 hours @ 25 °C
PS-300ATX-ZB (ATX PFC)	300 W	AC 100 ~ 240 V (Full-range)	+5 V @ 30 A +3.3 V @ 28 A +12 V @ 15 A -12 V @ 0.8 A -5 V @ 0.3 A +5 Vsb @ 2 A	+5 V @ 0.1 A +3.3 V @ 0.3 A	UL/TUV/CB/CCC	100,000 hours @ 25 °C

Passive Backplane Options

Part Number	Slot	Segment
PCA-6106-B	6 ISA	Single
PCA-6106P3-0C1	2 ISA, 2 PCI, 1 PICMG/PCI, 1 PICMG	Single
PCA-6106P4-0A1	4 PCI, 2 PICMG	Single
PCA-6105P5-0B1	5 PCI	Single

Ordering Information

Part Number	Power Supply	Backplane	Regulation
IPC-6606BP-00X	Without power supply, with ATX switch	-	None
IPC-6606BP-25Z	PS-250ATX-Z (System with AT switch)	-	UL, cUL, CE
IPC-6606-25Z	PS-250ATX-Z (System with AT switch)	PCA-6106-B	UL, cUL, CE
IPC-6606P3-25Z	PS-250ATX-Z (System with AT switch)	PCA-6106P3-0C1	UL, cUL, CE
IPC-6606BP-30Z	PS-300ATX-ZB	-	UL, cUL, CE
IPC-6606P3-30Z	PS-300ATX-ZB	PCA-6106P3-0C1	UL, cUL, CE
IPC-6606P4-30Z	PS-300ATX-ZB	PCA-6106P4-0A1	UL, cUL, CE
IPC-6606P5-30Z	PS-300ATX-ZB	PCA-6105P5-0B1	UL, cUL, CE