

# IPC-6608

## 8-slot Desktop/Wallmount Chassis with PS/2 Power Supply



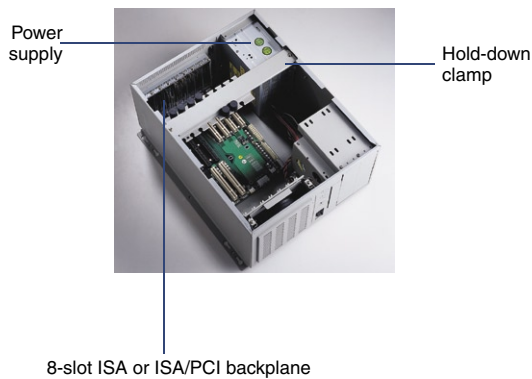
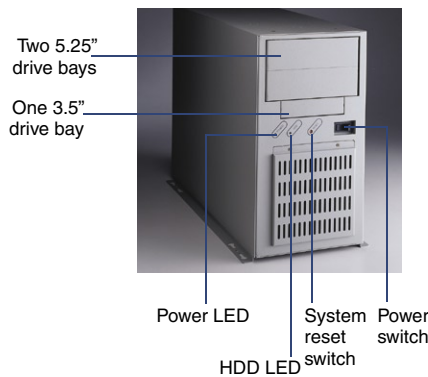
### Features

- Bidirectional options to mount the chassis on the wall or workbench
- Equipped with an 8-slot ISA or ISA/PCI backplane to hold eight full-length cards
- Two front accessed 5.25" disk drives and one 3.5" FDD
- High-speed cooling fan supports abundant cooling and streamlined ventilation
- Shockproof disk drive bay design for industrial applications



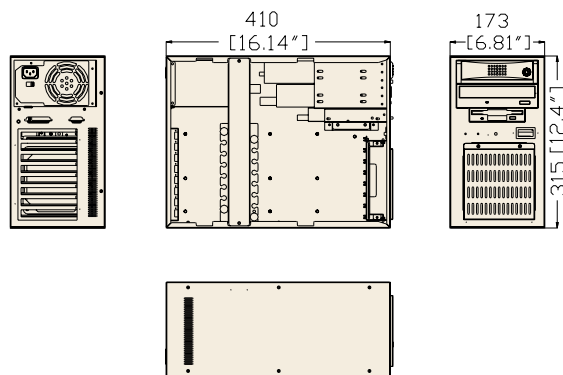
### Specifications

Drive Bay	3.5"	Front-accessible
	5.25"	1
Cooling	Fan	1 (85 CFM) hot-swappable
	Air Filter	Yes
Miscellaneous	Control	Front panel power switch and reset switch
	Indicator	LEDs for power On/Off and HDD activity
Environment	Temperature	0 ~ 40 °C (32 ~ 104 °F), operating
	Humidity	10 ~ 85 % @ 40 °C, non-condensing
Physical Characteristics	Dimensions (W x H x D)	173 x 315 x 410 mm (6.8" x 12.4" x 16.1")
	Weight	5.6 kg (12.3 lb)



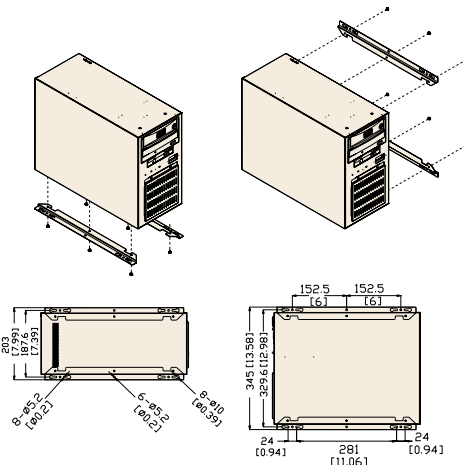
- 1 Industrial Motherboards
- 2 Industrial Motherboard Chassis
- 3 PICMG Single Board Computers
- 4 Industrial Computer Chassis
- 5 Industrial Computer Peripherals
- 6 6U CompactPCI Enclosures
- 7 6U CompactPCI Boards
- 8 6U CompactPCI I/O
- 9 6U CompactPCI Accessories
- 10 3U CompactPCI Systems
- 11 Internet Security Platforms
- 12 Network Application Ready Platforms

### Dimension Diagram



Unit: mm (inch)

### Installation



Unit: mm (inch)

### Power Supply Options

Part Number	Watt	Input	Output	Specifications		
				Mini-load	Safety	MTBF
PS-250ATX-Z (ATX, PFC)	250 W	AC 115 / 230 V (Selectable)	+5 V @ 27 A +3.3 V @ 20 A +12 V @ 13 A -12 V @ 0.8 A -5 V @ 0.3 A +5 Vsb @ 2 A	+5 V @ 0.5 A +12 V @ 0.3 A	UL/TUV/CB/CCC	100,000 hours @ 25 °C
PS-300ATX-ZB (ATX, PFC)	300 W	AC 110 ~ 240 V (Full-range)	+5 V @ 30 A +3.3 V @ 28 A +12 V @ 15 A -12 V @ 0.8 A -5 V @ 0.3 A +5 Vsb @ 2 A	+5 V @ 0.1 A +3.3 V @ 0.3 A	UL/TUV/CB/CCC	100,000 hours @ 25 °C

### Passive Backplane Options

Part Number	Slot	Segment
PCA-6108E-0C1	8 ISA	Single
PCA-6108P4-C	3 ISA, 3 PCI, 1 PICMG/PCI, 1 PICMG	Single
PCA-6108P6-0B3	1 ISA, 5 PCI, 1 PICMG/PCI, 1 PICMG	Single
PCA-6108P6X-0A1	6 PCI, 2PICMG	Single
PCA-6108P8-0A1	8 PCI	Single

### Ordering Information

Part Number	Power Supply	Backplane	Regulation
IPC-6608BP-00	Without power supply, with AT/ATX switch both	-	None
IPC-6608BP-25Z	PS-250ATX-Z	-	UL, cUL, CE
IPC-6608BP-30Z	PS-300ATX-ZB	-	UL, cUL, CE