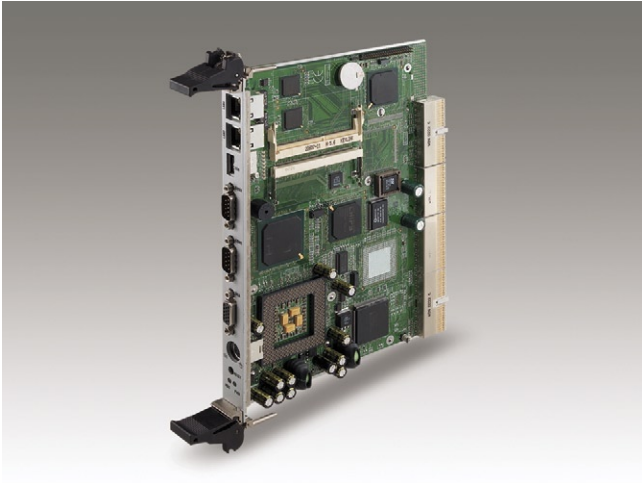


MIC-3377

6U CompactPCI® Socket 370 Pentium® III/ Celeron® Processor Board with VGA/Dual LAN



Features

- Socket 370 Intel® Pentium® III/Celeron® processor
- Intel 440BX chipset
- Up to 512 MB SO-DIMM SDRAM memory
- Dual 10/100 Mbps LAN ports

CE FCC

Introduction

The MIC-3377 is a 6U-high CompactPCI master CPU board that accepts an Intel Pentium III or Celeron processor with 370-pin FC-PGA package. The Pentium III/Celeron processor incorporates a 256 KB/128 KB on-die L2 Cache. The L2 cache implements the new advanced transfer cache architecture with 256-bit wide bus and runs at the full speed of the processor core. The MIC-3377 is well-suited for demanding mission-critical CompactPCI applications.

Specifications

Processor System	CPU (CPU not included)	Intel Pentium III	Intel Celeron	
	Max. Speed	1 GHz (100 MHz FSB)	733 MHz (66 MHz FSB)	
	L2 Cache	256 KB	128 KB	
	Chipset	Intel 440BX		
	BIOS	Award 2 Mbit Flash		
Bus	Front Side Bus	66/100 MHz		
	PCI	32-bit/33 MHz		
Memory	Technology	PC-100 SDRAM with ECC support		
	Max. Capacity	512 MB		
	Socket	144-pin SO-DIMM x2		
Graphic	Controller	69000		
	VRAM	2 MB SDRAM		
Ethernet	Interface	10/100Base-TX		
	Controller	Intel 82559 x2		
	Connector	RJ-45 x2		
EIDE	Mode	ATA 33		
	Channel	2 (Max. 4 devices)		
PCI-to-PCI Bridge	Controller	Intel 21150		
	System Bus	32-bit/33 MHz		
Front I/O Interface	LAN	2		
	USB	1 (USB 1.0 compliant)		
	Serial	2 (RS-232, 16C550 compatible)		
	PS/2	1		
	VGA	1		
Operating System	Compatibility	Windows 2000/NT 4.0/XP, Red Hat Linux 9		
Watchdog Timer	Output	System reset		
	Interval	Programmable, 1 ~ 63 sec.		
Power Requirement	Maximum (Pentium III, 850 MHz)	+3.3 V	+5 V	+12 V
		2.5 A	2.1 A	640 mA
		Operating	Non-Operating	
Environment	Temperature	0 ~ 50 °C (32 ~ 122 °F)	-40 ~ 60 °C (-40 ~ 140 °F)	
	Humidity	-	95 % @ 60 °C, non-condensing	
	Vibration (5-500 Hz)	1.0 Grms	2.0 G	
Physical Characteristics	Dimensions (W x D)	233.35 x 160 mm (9.2" x 6.3"), 1-slot width		
	Weight	0.8 Kg (1.76 lb)		
Compliance	Standard	PICMG® 2.0, R3.0 CompactPCI Specification		

Recommended Configurations

CPU Board	PMC Module	Rear I/O Board	Enclosure
MIC-3377M	-	RIO-3302-A, RIO-3302S-A	MIC-3039-B, MIC-3036-A/S2, MIC-3056A/B, MIC-3038A/B, MIC-3041A, MIC-3081A/B

Rear Transition Board

Part Number	Rear Panel I/O							On-board Header					Slot Width
	Keyboard	Mouse	COM	USB	LAN	VGA	SCSI	IDE**		FDD	CF Socket	2.5" HDD Carrier	
								40-pin	44-pin				
RIO-3302-A	1	1	2	1	2	1	-	2	1	1	1	Optional	1
RIO-3302S-A	1	1	2	1	2	1	1*	2	1	1	1	Optional	1

* SCSI chipset (Adaptec 7892) on board.

** The 40-pin and 44-pin connectors share the same channel; user can only use one of these two connectors.

Ordering Information

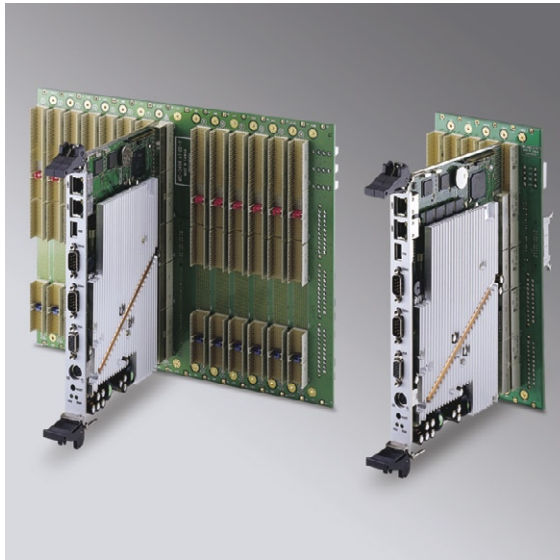
Part Number	LAN	VGA	COM	USB	PCI-to-PCI Bridge	Slot Width
MIC-3377/M-A	2	1	2	1	1	1

Fanless heat sink with space-saving design



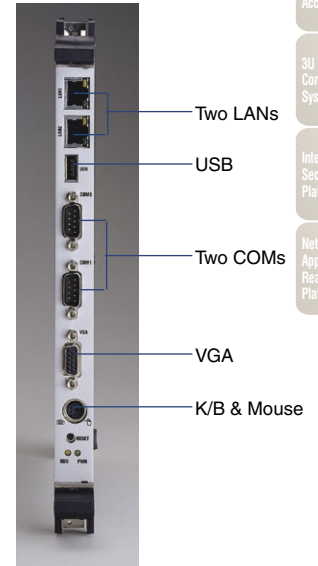
Socket 370 Pentium III/Celeron CPU

Two PCI-to-PCI bridges drive up to 14 bus master PCI slots (MIC-3377D/M)



Single PCI-to-PCI bridge drives up to 7 bus master PCI slots

On-board I/Os on front panel



- 1 Industrial Motherboards
- 2 Industrial Motherboard Chassis
- 3 PICMG Single Board Computers
- 4 Industrial Computer Chassis
- 5 Industrial Computer Peripherals
- 6 6U CompactPCI Enclosures
- 7 6U CompactPCI Boards
- 8 6U CompactPCI I/O
- 9 6U CompactPCI Accessories
- 10 3U CompactPCI Systems
- 11 Internet Security Platforms
- 12 Network Application Ready Platforms