

# FPM-3150G

## Industrial 15" Flat Panel Monitor with Direct-VGA Port



### Features

- 15" XGA TFT LCD with resolution up to 1024 X 768
- Stainless steel chassis with NEMA4/IP65-compliant aluminum front panel
- High luminance up to 350 cd/m<sup>2</sup>
- Auto-recognition of input signal
- Rack, panel or wallmount
- Supports VESA arm, desktop stand
- VGA Cable transmission up to 50 m (option)
- Anti-reflective screen with tempered glass
- Hard anodic coating to prevent panel abrasion and acid corrosion

### Introduction

The FPM-3150G is a 15-inch color TFT LCD flat panel monitor specifically designed for industrial applications. With a viewing size as large as 15", it presents an ample display area as well as vivid and sharp images for your HMI. The FPM-3150G features Direct-VGA signal transmission, which allows a regular VGA control card to be used in your system. Users can thus upgrade the display without making changes to the existing system. Its on screen display function also allows users to adjust the images on the screen with ease. The whole chassis is stainless steel and the front panel is made of aluminum with NEMA4/IP65 compliance.

### Specifications

- **Front Panel** Aluminum, NEMA4/IP65 compliant
- **Mounting** Panel mount, wallmount, desktop, VESA arm, or 19" rackmount with optional mounting kit
- **Dimensions (W x H x D)** 428 x 310 x 86 mm (16.9" x 12.2" x 3.4")
- **Gross Weight** 7 kg (15.4 lb)
- **I/O Port** VGA, DC power input, power switch, and RS-232 port (Touchscreen version only)
- **Control** OSD (on screen display) Control Pads on the front panel
- **Power** External 48 W power adapter, with AC 100 V ~ 230 V input and DC +12 V @ 4 A output
- **Operating Temperature** 0 ~ 50° C (32 ~ 122° F)
- **Storage Temperature** -20 ~ 60° C (-4 ~ 140° F)
- **Storage Humidity** 5 ~ 95% non-condensing
- **Vibration (operating)** 5 ~ 17 Hz, double-amplitude displacement  
17 ~ 500 Hz, 1.0 G peak to peak
- **CE, FCC, BSMI, and CCC compliant**

#### LCD Display

- **Display Type** XGA TFT LCD
- **Display Size** 15"
- **Max. Colors** Full color (16.7 million)
- **Max. Resolution** 1024 X 768
- **View Angle** 140° (H), 120° (V)
- **Luminance** 350 cd/m<sup>2</sup> 4 CCFL
- **Storage Temperature** -20 ~ 60° C (-4 ~ 140° F)
- **Operating Temperature** 0 ~ 50° C (32 ~ 122° F)
- **Backlight Lifetime** 50,000 hrs
- **Contrast Ratio** 350 : 1

#### Touchscreen (Optional)

- **Type** 8 wire, analog resistive or capacitive sensor
- **Resolution** continuous
- **Light Transmission** 75% (resistive)  
88% (capacitive)
- **Operating Pressure** 30 ~ 45 grams for stylus pen, contact bounce < 10 ms
- **Controller** RS-232 interface
- **Power Consumption** +5 V @ 200 mA
- **OS Support** Windows® 2000/XP
- **Lifespan** 100 million touches (resistive)  
220 million touches (capacitive)

### Ordering Information

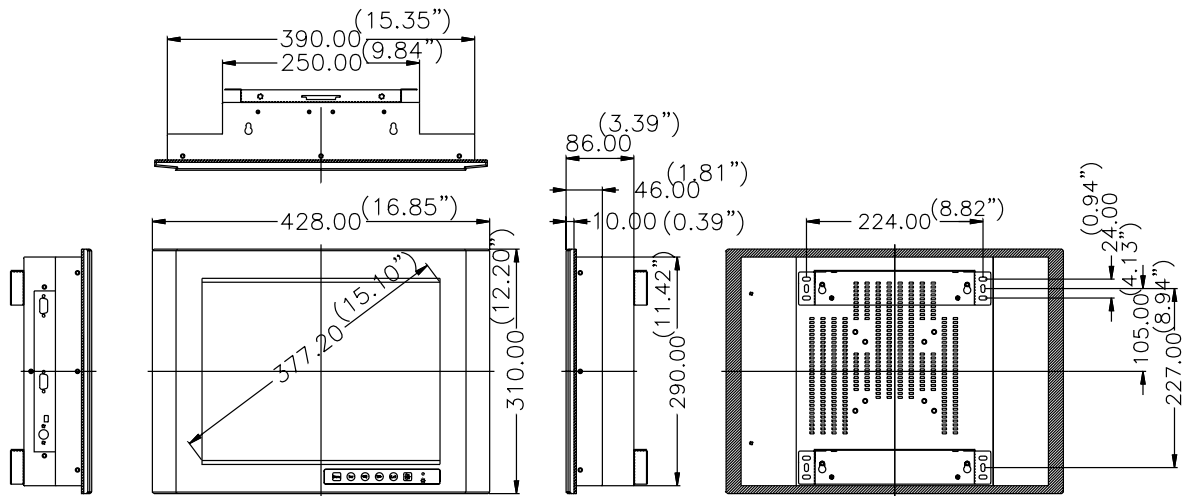
- **FPM-3150G** Industrial flat panel monitor, VGA interface 15" LCD display and AC 100~230 V input 48W power adapter
- **FPM-3150G-R** FPM-3150G with analog resistive touchscreen (RS-232 interface)
- **FPM-3150 Rack-MT** Mounting kit for 19" industrial rack
- **1700090001** 4.5 M cable for T/S
- **1700090002** 3 M cable for T/S

#### Option

- **4 mm stainless steel front panel by request**

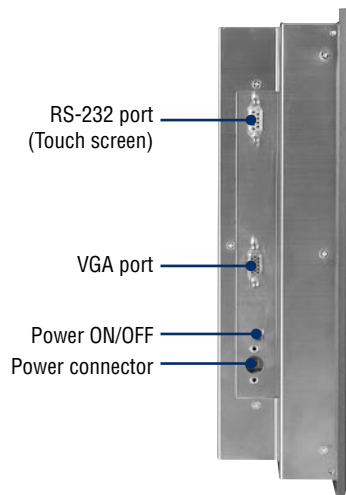
**Dimensions**

Unit: mm



Cut-out dimension: 396 x 296 mm (15.6" x 11.6")

**Rear View**



1	Software
2	IPPC
3	TPC
4	FPM
5	ATM & AWS
6	DA&C
7	cPCI
8	ADAM-3000
9	Motion Control
10	ICOM
11	eConnectivity
12	UNO
13	ADAM-4000
14	ADAM-5000
15	ADAM-6000
16	ADAM-8000
17	BAS