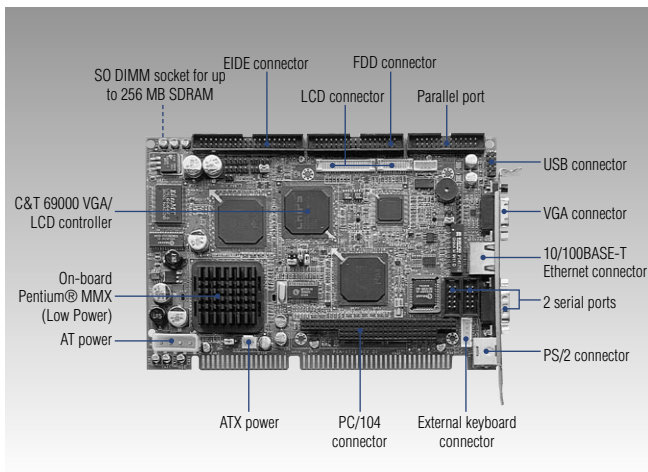


PCA-6751

ISA Tillamook Slot-PC SBC with Pentium 266 MHz CPU/VGA/LCD/LAN/CFC and PC/104



Specifications

General

- **CPU** Onboard Low Power Pentium MMX, 266 MHz
- **2nd Cache Memory** 512 KB PB SRAM
- **System Chipset** Intel 430TX
- **BIOS** AWARD 256 kbit Flash BIOS
- **System Memory** SDRAM SODIMM x 2, Max. 256 MB
- **Power Management** APM 1.2
- **SSD** Support CompactFlash Card
- **Watch Dog Timer** 1 ~ 62 sec, System reset or IRQ11
- **Expansion Interface** 1 x 16-bit ISA slot, 1 x PC/104 connector
- **Battery** Lithium 3 V/196 mAh

I/O

- **I/O Interface** 1 x EIDE (Ultra DMA33), 1 x FDD, 1 x K/B, 1 x Mouse, 1 x RS-232/422/485, 1 x RS-232, 1 x LPT
- **USB** 2 USB port, USB 1.1 compliant
- **Audio** N/A
- **IrDA** 115 Kbps SIR, IrDA 1.0 compliant
- **GPIO** N/A
- **I/O Expansion** PC104, ISA

Ethernet

- **Chipset** Intel 82559 (PCA-6751-F1B2, PCA-6751CE-001) RTL-8139C (PCA-6751-F0B2);
- **Speed** 10/100Base-T
- **Interface** RJ-45
- **Standard** IEEE 802.3u compatible
- **Boot ROM** Built-in system (optional)

Features

- Low power 266 MHz Pentium® CPU
- Onboard PCI SVGA VGA/LCD display
- Supports CompactFlash® SSD solution
- Superior low power consumption, requires no CPU cooling fan
- 10/100 Mbps Ethernet

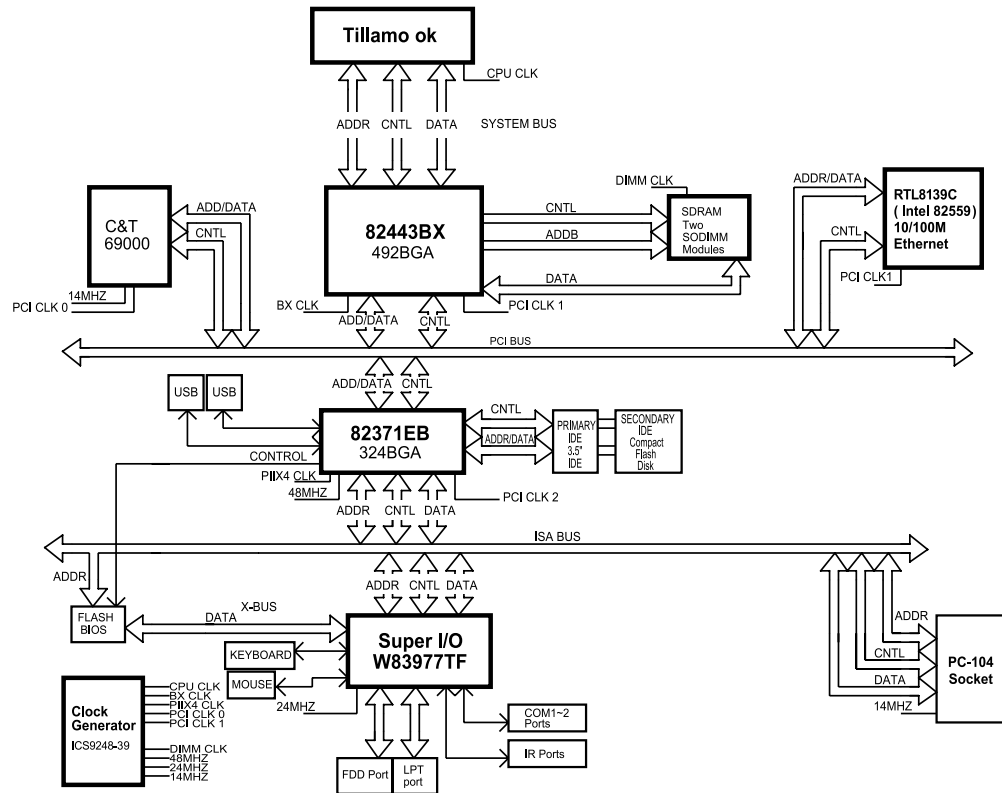
Display

- **Chipset** Asilient (C&T) 69000
- **Memory Size** 2 MB (Optional 4 MB with 69030)
- **Resolution** CRT mode: 1280 x 1024 @ 8 bpp, 1024 x 768 @ 16 bpp, 800 x 600 @ 24 bpp
- **LCD Interface** Up to 36-bit TTL for Mono/STN/TFT LCD
- **LVDS Interface** N/A
- **TV-Out** N/A
- **Dual Independent Display** N/A

Mechanical and Environmental

- **Dimension (L x W)** 185 x 122 mm (7.3" x 4.8")
- **Weight** 0.27 kg (weight of total package)
- **Operating Temperature** 0 ~ 70° C (32 ~ 158° F), operation
- **Operating Humidity** 0% ~ 90% relative humidity, non-condensing
- **Power Supply Voltage** +5 V ± 5%
- **Power Consumption** Max : 5 V @ 5 A
Typical : 5 V @ 2.5 A (128 MB DRAM)

Board Diagram



Packing List

- 1 x PCA- 6751 SBC
- 1 x Y cable for PS/2 Keyboard, PS/2 Mouse (p/n:1700060202)
- 1 x E-IDE (HDD) Cable (500 mm) (p/n:1701400601)
- 1 x FDD Cable (290 mm) (p/n:1701340700)
- 1 x COM2, Parallel port cable kit (p/n:1701260303)
- 1 x ATX/AT power cable (p/n:1700000450)
- 1 x ATX/AT power cable converter (p/n:1700040052)
- Mini Jumper (p/n:1653300100)
- 1 x Startup manual
- 1 x Utility CD

Ordering Information

Standard

- **PCA-6751-F0B2** ISA Tillamook Slot SBC. P266/ VGA/LCD/Fast Ethernet (8139)/CFC/PC104
- **PCA-6751-F1B2** ISA Tillamook Slot SBC. P266/ VGA/LCD/Fast Ethernet (82559)/CFC/PC104
- **PCA-6751V-F0B2** ISA Tillamook Slot SBC. P266/ VGA/LCD/CFC/PC104
- **PCA-6751Z-F1B2** PCA-6751-F1B2 Phoenix operation (Gold package)
- **PCA-6751Z2-F1B2** PCA-6751-F1B2 Phoenix operation (Platinum package)

Optional Accessories

- **MBPC-641** 4-slot IPC chassis w/backplane & 65 W power supply
- **IPC-644-80** 4-slot IPC chassis w/backplane & 80 W power supply
- **IPC-6806S** 6-slot IPC chassis w/backplane & 100 W power supply
- **PCA-6114-B** 14-slot ISA passive backplane
- **PCA-6108-0B1** 8-slot ISA passive backplane
- **PCA-6106-B** 6-slot ISA passive backplane
- **PCA-6104-0C1** 4-slot ISA passive backplane
- **1700100170** USB cable adapter (2.54 mm)
- **9689000042** IrDA adapter
- **CF-HDD-ADP** CompactFlash 50-pin to IDE 44-pin adapter