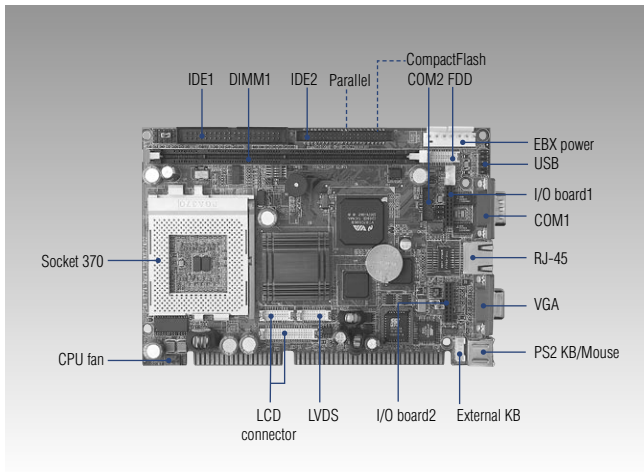


PCA-6774

ISA Socket 370 Slot-PC SBC, VGA/LCD/LVDS/ LAN/CFC/Optional Second LAN



Specifications

General

- **CPU** Support FC-PGA/FC-PGA2 Socket 370, Celeron/PentiumIII CPU, up to 1.26 GHz Pentium III with 512 KB (Does not support PPGA CPU)
- **2nd Cache Memory** 64 KB on the CPU
- **System Chipset** VIA VT8606 "TwisterT"+VT82C686B
- **BIOS** AWARD 256 kbit Flash BIOS
- **System Memory** SDRAM DIMM x 1, Max. 512 MB
- **Power Management** ACPI
- **SSD** Support CompactFlash® Card type/II
- **Watch Dog Timer** 1 ~ 62 sec, System reset or IRQ11
- **Expansion Interface** 16-bit ISA slot
- **Battery** Lithium 3 V/196 mAh

I/O

- **I/O Interface** 2 x EIDE , 1 x FDD, 1 x K/B, 1 x Mouse, 1 x RS-232/422/485, 1 x RS-232, 1 x LPT
- **USB** 4 USB ports, USB 1.1 compliant
- **Audio** N/A
- **IrDA** N/A
- **GPIO** N/A
- **I/O Expansion** I/O daughter board connectors, ISA

Ethernet

- **Chipset** Intel 82551/82559 (PCA-6774F-00A1, PCA-6774F-02A1)
Intel 82540 (PCA-6774FG-00A1)
- **Speed** 10/100Base-T, 10/100/1000Base-T
- **Interface** RJ-45
- **Standard** IEEE 802.3 z/ab (1000Base-T) or IEEE 802.3u (100Base-T) protocol compatible
- **Built-in Boot ROM** (optional when using Intel 82559 LAN chip)

Features

- Socket 370 support up to 1.26 GHz Intel Pentium® III with 512 KB
- Giga LAN/Second Lan support
- Support up to 133 MHz FSB
- 4x AGP graphics for high performance
- Support TFT and DSTN LCD, LVDS

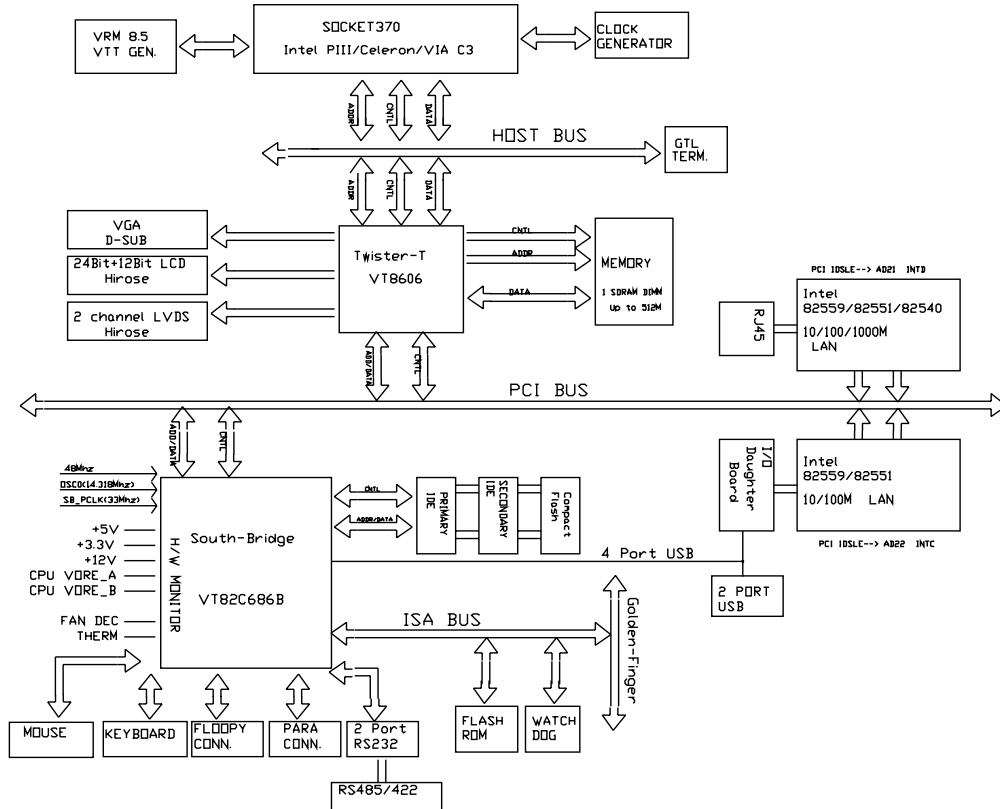
Display

- **Chipset** VIA VT8606 "TwisterT" integrated Savage4 2D/3D/Video Accelerator
- **Memory Size** 8/16/32 MB frame buffer using system memory
- **Resolution** CRT Mode: 1280 x 1024 @ 16 bpp (60 Hz),
1024 x 768 @ 16 bpp (85 Hz),
800 x 600 @ 16 bpp (60 Hz),
LCD Mode: 1280 x 1024 @ 16 bpp (60 Hz),
1024 x 768 @ 16 bpp (60 Hz),
1280 x 1024 @ 32 bpp
- **LCD Interface** 36-bit TTL
- **LVDS Interface** 2-Channel (2 x 18-bit) LVDS interface
- **TV-Out** N/A
- **Dual Independent Display** N/A

Mechanical and Environmental

- **Dimension (L x W)** 185 x 122 mm (7.3" x 4.8")
- **Weight** 0.27 kg (weight of total package)
- **Operating Temperature** 0 ~ 60° C (32 ~ 140° F), operation
- **Operating Humidity** 0% ~ 90% relative humidity
- **Power Supply Voltage** +5 V, +12 V ± 5%
- **Power Consumption** Max. : 5.97 A @ +5 V
(w/512 MB SDRAM, Pentium III 1.26 GHz)

Board Diagram



Packing List

- 1 x PCA-6774 SBC
- 1 x Y cable for PS/2 Keyboard, PS/2 Mouse (p/n:1700060202)
- 1 x E-IDE (HDD) Cable (p/n:1701400452)
- 1 x FDD Cable (p/n:1703340400)
- 1 x Parallel port cable (p/n:1700260250)
- 1 x Power Cable (p/n:1703080101)
- 1 x COM port Cable (p/n: 1700100250)
- Mini Jumper (p/n:1653300100)
- 1 x Startup Manual
- 1 x Utility CD

Ordering Information

Standard

- **PCA-6774F-00A1** ISA Socket 370 Slot CPU Card with VGA/LCD/LAN/CFC
- **PCA-6774FG-00A1** ISA Socket 370 Slot CPU Card with VGA/LCD/Giga LAN/CFC
- **PCA-6774F-02A1** ISA Socket 370 Slot CPU Card with VGA/LCD/2LAN/CFC

Optional Accessories

- **IPC-644-80** 4-slot IPC chassis w/ backplane& 80 W power supply
- **IPC-6806S** 6-slot IPC chassis w/ backplane & 100 W power supply
- **PCA-6114-B** 14-slot ISA passive backplane
- **PCA-6108-0B1** 8-slot ISA passive backplane
- **PCA-6106-B** 6 slot ISA passive backplane
- **PCA-6104-0C1** 4-slot ISA passive backplane
- **1700100170** USB cable adapter (2.54 mm)
- **CF-HDD-ADP** CompactFlash 50-pin to IDE 44-pin adapter
- **P-MPP3126CITLT1** Intel Pentium III with 512 KB cache 1.26 GHz (FC-PGA2)