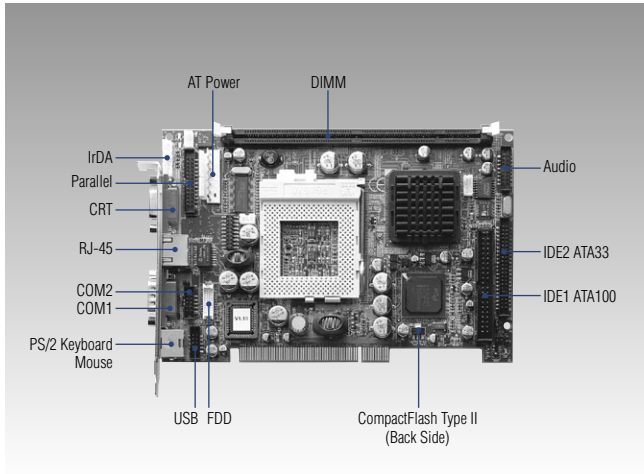


PCI-6870

PCI Socket 370 Slot-PC SBC,VGA/LAN/CFC2



Features

- 32-bit PCI Slot
- Supports Socket 370 Intel® Celeron®/Intel Pentium® III Processor up to 1.2/1.26 GHz
- Support up to 100/133 MHz FSB
- Direct AGP VGA



Specifications

General

- **CPU** Support FC-PGA/FC-PGA2 Socket 370 Celeron/Pentium III up to 1.2/1.26 GHz (Does not support PPGA CPU)
- **2nd Cache Memory** 128 KB on the Celeron, 256 KB on the Pentium III
- **System Chipset** Intel 815E
- **BIOS** AWARD 256 kbit Flash BIOS
- **System Memory** SDRAM DIMM x 1 Max. 512 MB
- **Power Management** ACPI
- **SSD** Support CompactFlash® Card Type I/II
- **Watch Dog Timer** 15 sec - 127 min, Step 30 sec, System reset or IRQ11
- **Expansion Interface** 32-bit PCI slot
- **Battery** Lithium 3 V/196 mAH

I/O

- **I/O Interface** 2 x EIDE (1 x Ultra DMA100, 1 x Ultra DMA33), 1 x FDD, 1 x K/B, 1 x Mouse, 1 x RS-232/422/485, 1 x RS-232, 1 x LPT
- **USB** 2 USB ports, USB 1.1 compliant
- **Audio** AC'97 compliant
- **IrDA** 115 Kbps, IrDA 1.0 compliant
- **GPIO** N/A
- **I/O Expansion** PCI

Ethernet

- **Chipset** 815E embedded + Intel 82562ET
- **Speed** 10/100Base-T
- **Interface** RJ-45
- **Standard** PCI Ethernet controller, IEEE 802.3 protocol compatible

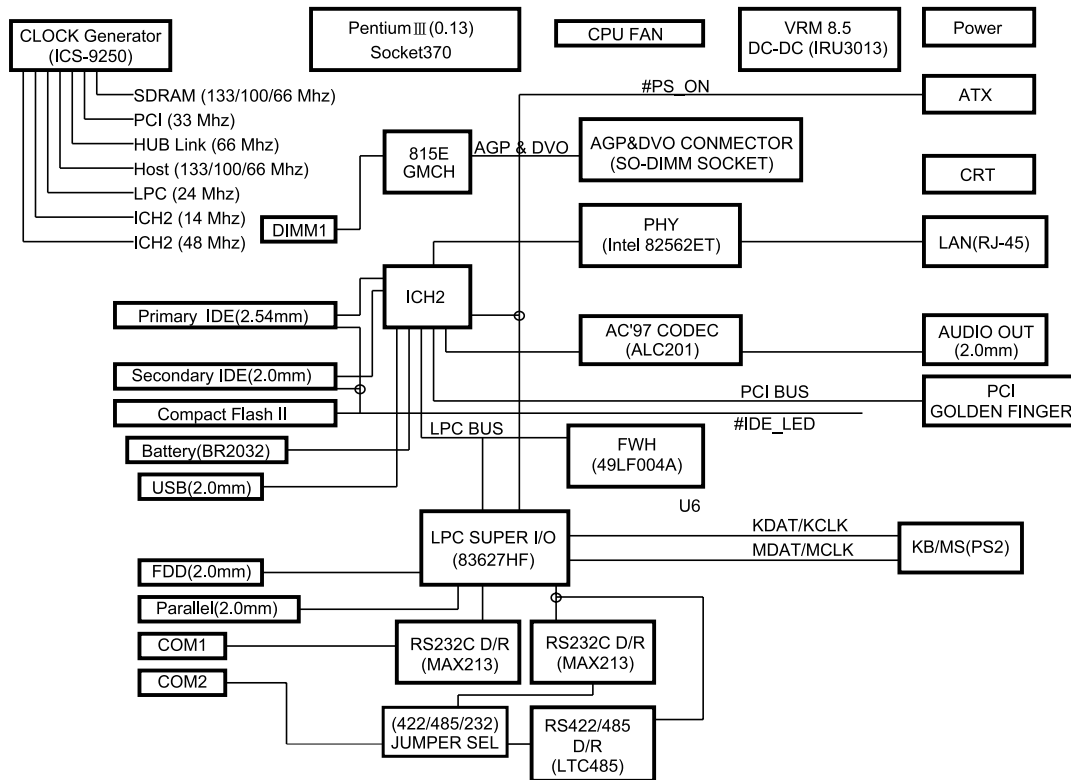
Display

- **Chipset** Intel 815E embedded
- **Memory Size** Share system memory up to 64 MB
- **Resolution** 1024 x 768 @ 24 bpp
800 x 600 @ 24 bpp
- **LCD Interface** N/A
- **LVDS Interface** N/A
- **TV-Out** N/A
- **Dual Independent Display** N/A

Mechanical and Environmental

- **Dimension (L x W)** 185 x 122 mm (7.3" x 4.8")
- **Weight** 0.27 kg (weight of total package)
- **Operating Temperature** 0 ~ 60° C (32 ~ 140° F), operation
- **Operating Humidity** 0% ~ 90% relative humidity, non-condensing
- **Power Supply Voltage** +5 V, +12 V ± 5%
- **Power Consumption** Max: 8 A @ 5 V
Typical: 6.68 A @ 5 V (w/PIII 850 MHz, 256 MB SDRAM) 280 mA @ 12 V

Board Diagram



Packing List

- 1 x PCI-6870 SBC
- 1 x Y cable for PS/2 Keyboard, PS/2 Mouse (p/n:1700060202)
- 1 x E-IDE (HDD) Cable (p/n:1701400452)
- 1 x FDD Cable (600 mm) (p/n:1703340400)
- 1 x Parallel port cable (p/n:1700260250)
- 1 x Com port cable (p/n:1700100250)
- 1 x Power Cable (p/n:1703080101)
- Mini Jumper (p/n:1653300100)
- 1 x Startup Manual
- 1 x Utility CD

Ordering Information

Standard

- **PCI-6870F-00A2** PCI Socket 370 815E Half-sized SBC, VGA/Fast Ethernet/CFC2

Optional Accessories

- **IPC-644P4-80** Chassis w/PCA-6104P4/80 W power supply
- **IPC-6806P5** Chassis w/PCA-6105P5/100 W power supply
- **PCA-6104P4-0B1** 4-PCI slot passive backplane
- **PCA-6105P5-0B1** 5-PCI slot passive backplane
- **1703100260** USB cable adapter (2.00 mm)
- **9689000042** IrDA adapter
- **CF-HDD-ADP** CompactFlash 50-pin to IDE 44-pin adapter
- **1759209100** Fan/Heatsink module
- **1700160160** Audio Cable
- **P-MPP3126CITL1** Intel Pentium III with 512 KB cache 26 GHz (FC-PGA2)