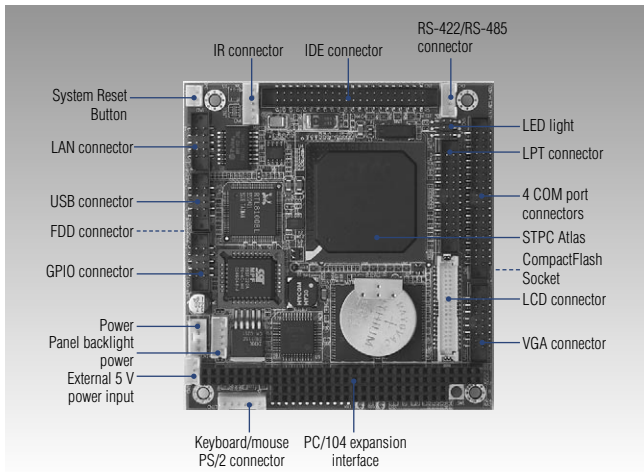


# PCM-3341

## STPC ATLAS PC/104 CPU Module with VGA/LCD/Ethernet/SSD



## Specifications

### General

- **CPU** STMicroelectronics, STPC ATLAS 133 MHz CPU module
- **BIOS** AWARD 256 KB Flash BIOS
- **System Memory** Onboard 32 SDRAM (64 MB option)
- **SSD** Supports CompactFlash Card TYPE I (share 2nd IDE Channel)
- **Watch Dog Timer** 63 scale, hardware reset and IRQ selection
- **Expansion Interface** 1 x PC/104
- **Battery** Lithium 3V/196 mAH

### I/O

- **I/O Interface** 1 x EIDE (DMA 33), 1x FDD (optional), 1 x K/B, 1 x Mouse, 3 x RS232, 1 x RS232/422/485, 1 x LPT
- **USB** 2 USB 1.1 compliant Ports
- **IrDA** 115 Kbps, IrDA 1.1 Compliant
- **GPIO** 8-bit IN/OUT

### Ethernet

- **Chipset** Realtek RTL8100BL
- **Ethernet Interface** IEEE 802.3u 100Base-T

## Features

- Low Power STPC ATLAS CPU Module Fanless
- Onboard 32 SDRAM (64MB option)
- 18-bit TFT LCD Support
- Up to 4 COMs Support
- 2 USB 1.1 Support
- Compact Flash slot Type I support

### Display

- **Chipset** STPC ATLAS support 18-bit TFT LCD Panel
- **Memory Size** Shared Memory Architecture, up to 4 MB using system memory
- **Resolution** \* CRT Display mode: Up to 1280 x 1024 at 75 Hz  
\* LCD Display mode: Up to 1024 x 1024 and up to 18-bit TFT
- **LCD Interface** Hirose connector supports 18-bit TFT LCD Panel

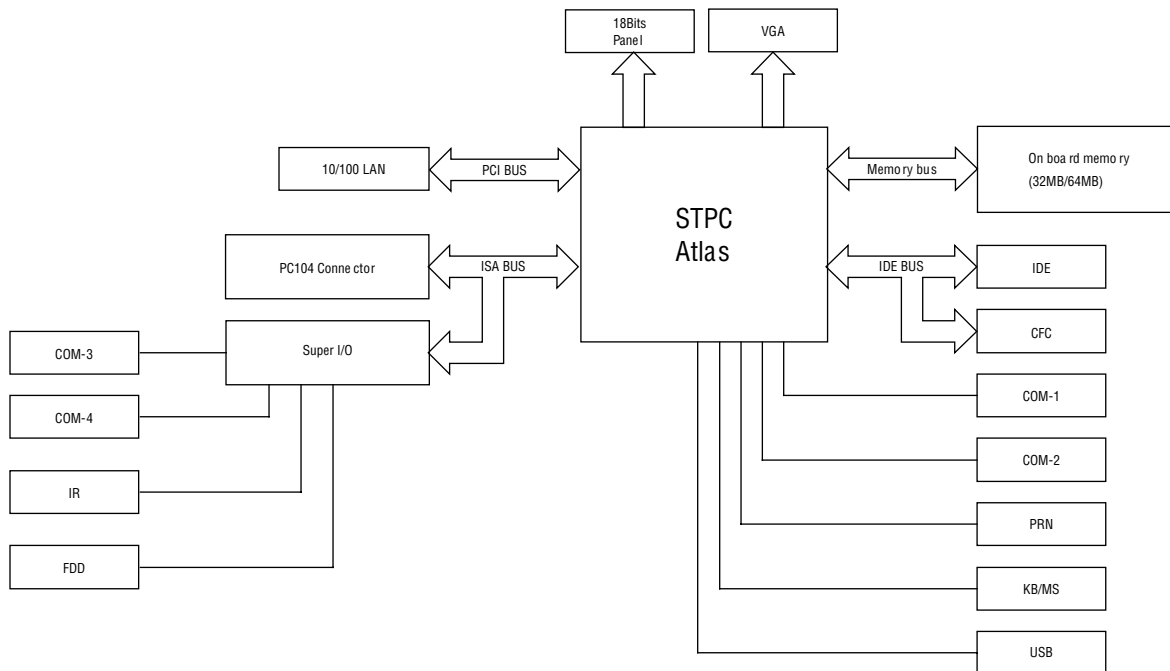
### Mechanical and Environmental

- **Dimension (L x W)** 96 x 90 (3.8" x 3.5")
- **Weight** 0.85 kg (weight of total package)
- **Operating Temperature** 0 ~ 60° C (32 ~ 140° F)
- **Operating Humidity** 0% ~ 90% relative humidity, non-condensing

### Power

- **Power Supply Voltage** 4-pin power connector, +5 V power
- **Power Requirement** (STPC ATLAS, 32 M SDRAM)  
Average: +5 V @ 1.6 A

## Board Diagram



## Packing List

- 1 x PCM-3341 SBC
- 1 x KB/Mouse Y-cable EXT cable (p/n: 1703060053)
- 1 x KB/Mouse Y-Cable (2 PS/2) (p/n: 1700060202)
- 1 x VGA cable (p/n: 1701160150)
- 1 x Ethernet RJ45 conversion cable (p/n: 1701100202)
- 1 x IDE (HDD) cable (p/n: 1701440504)
- 4 x COM port cables (p/n: 1700100181)
- 1 x LPT port cable (p/n: 1700260250)
- 1 x Startup manual
- 1 x CD-ROM (Manual, Driver, utility)

## Ordering information

### Standard

- PCM-3341F-00A1 ST ATLAS, w/LCD/VGA/Ethernet/32M/4COM/LPT/CFC

### Optional Accessories

- USB cable (p/n:1703100260)
- RS-422/485 cable (p/n:1703040157)
- FFC Cable for Slim FDD (p/n:1701260125)
- Flat Cable for 5.25" & 3.5" FDD (p/n:1701340700)
- FDD Convert Board (p/n:9681000044)