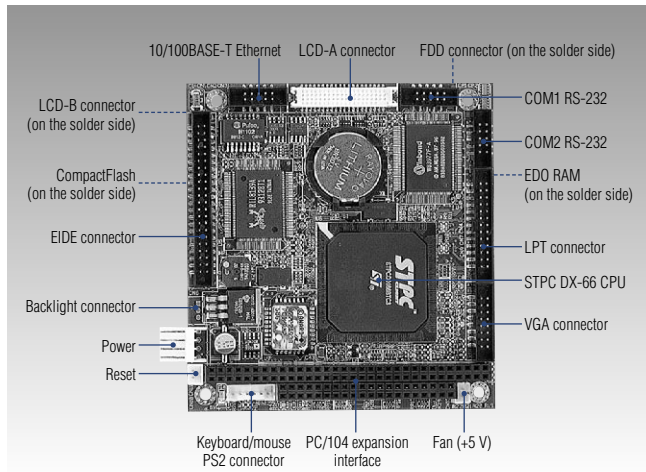


PCM-3346

486 DX-66 CPU Module with VGA/LCD,
Ethernet & SSD



Features

- STPC Client DX66
- Supports CompactFlash® SSD solution
- Simple, reliable fanless operation
- Windows® CE ready
- 10/100BASE-T Fast Ethernet
- 18-bit TFT LCD support
- Up to 70° C operation (optional)



Specifications

General

- **CPU** STPC client DX66
- **System Chipset**
- **BIOS** AWARD 256 KB Flash BIOS
- **System Memory** 144-Pin SODIMM x 1, 8/16/32/64 MB EDO
- **SSD** CompactFlash Card
- **Watch Dog Timer** 1.6 sec interval watchdog timer (optional flexible interval available)
- **Expansion Interface** PC/104
- **Battery** Lithium 3 V/196 mAh

I/O

- **I/O Interface** 1 x EIDE, 1 x FDD, 1 x K/B, 1 x Mouse, 2 x RS232, 1 x LPT
- **IrDA** 1 x 115 Kbps SIR, IrDA 1.0 compliant

Ethernet

- **Chipset** Realtek RTL8139C
- **Interface** IEEE 802.3 10Base-T, IEEE 802.3u 100Base-TX Fast Ethernet Compatible

Display

- **Chipset** Asilant (C&T) 69000
- **Memory Size** 2 MB
- **Resolution** 1024 x 768 @ 16 bpp (CRT)
1024 x 768 @ 16 bpp (LCD)
- **LCD Interface** 36-bit TFT, DSTN

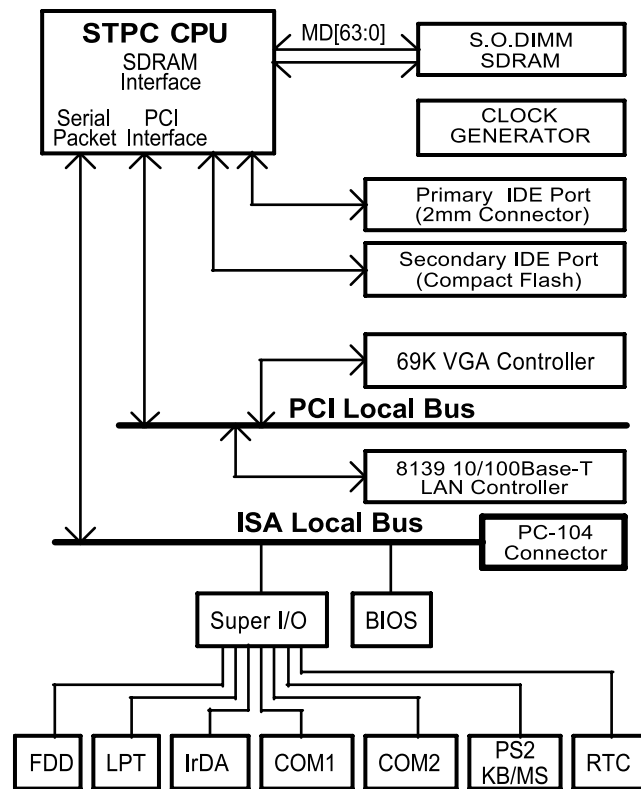
Mechanical and Environmental

- **Dimension (L x W)** 96 x 90 mm (3.8" x 3.5")
- **Weight** 0.103 Kg (0.227 lb)
- **Operating Temperature** 0 ~ 70° C (32 ~ 158° F), operation
- **Operating Humidity** 0% ~ 90% relative humidity, non-condensing

Power

- **Power Consumption** Typical: +5 V @ 2.17 A (w/64 MB EDO SODIMM, 10 MB CFC, 1 FDD, 1 HDD, 1 VGA, 1 LCD)
Max. : +5 V @ 2.59 A (w/64 MB EDO SODIMM, 10 MB CFC, 1 FDD, 1 HDD, 1 VGA, 1 LCD)

Board Diagram



Packing List

- | | |
|---|------------------|
| ▪ 1 x KB/Mouse Y-cable EXT cable | (p/n:1703060053) |
| ▪ 1 x KB/Mouse Y-cable (2 PS/2) | (p/n:1700060202) |
| ▪ 1 x 26-34 Pin FDD adapter | (p/n:9681000044) |
| ▪ 1 x FFC cable for slim FDD same size | (p/n:1701260125) |
| ▪ 1 x VGA cable | (p/n:1701160150) |
| ▪ 1 x Ethernet RJ-45 connector conversion cable | (p/n:1701100202) |
| ▪ 1 x IDE (HDD) cable | (p/n:1701440350) |
| ▪ 1 x COM port cable | (p/n:1700100250) |
| ▪ 1 x LPT port cable | (p/n:1700260250) |
| ▪ 1 x Start up manual | |
| ▪ 1 x CD-ROM (Manual, Driver, Utility) | |

Ordering Information

Standard

- | | |
|--------------------------|--|
| ▪ PCM-3346F-00A2 | PC/104 486 DX-66 CPU module with VGA/ LCD, Ethernet, SSD |
| ▪ PCM-3346N-00A2 | Same as PCM-3346F-00A1, but without LCD |
| ▪ PCM-3346L-00A2 | Same as PCM-3346F-00A1, but without Ethernet, LCD |
| ▪ PCM-3346FCE-001 | PCM-3346F with Windows® CE.3.0 |
| ▪ PCM-3346Z-00A2 | PCM-3346F with Phoenix Operation Gold Package |