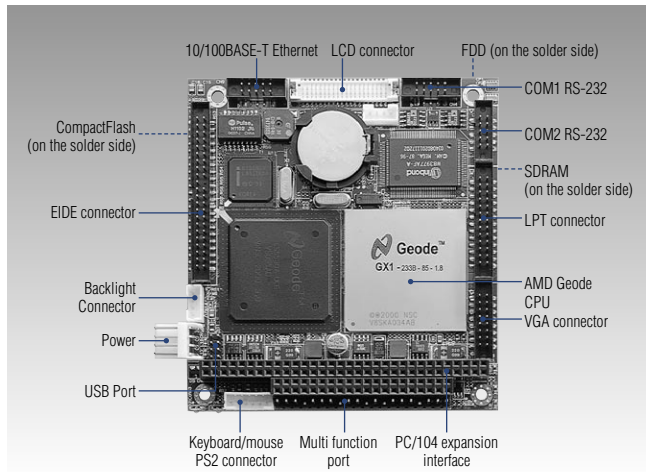


PCM-3350

AMD Geode™ CPU Module with VGA/LCD, Ethernet & SSD



Specifications

General

- **CPU** Embedded low power onboard AMD Geode processor
GX1-300 MHz processor (PCM-3350F-G0A1)
GX1-233 MHz processor (PCM-3350F-E0A1 Optional)
- **1st Cache Memory** 16 KB, for data/instruction
- **System Chipset** AMD CS5530A
- **BIOS** AWARD 256 KB Flash BIOS
- **System Memory** 144-Pin SODIMM x 1, 8/16/32/64/128/256 MB SDRAM
- **Power Management** APM 1.2
- **SSD** CompactFlash Card
- **Watch Dog Timer** Software enable/disable 1.6 sec (Optional flexible interval available)
- **Expansion Interface** PC/104
- **Battery** Lithium 3 V/196 mA

I/O

- **I/O Interface** 1 EIDE, 1 FDD, 1 K/B, 1 mouse, 2 RS232, 1 LPT
- **USB** 2 x USB, Open HCI compliant
- **IrDA** 1 x 115 Kbps SIR, IrDA 1.0 compliant

Features

- Low CPU power consumption AMD GX1 processor on board
- Supports CompactFlash SSD solution
- Simple, reliable fanless operation
- Windows® CE ready
- 10/100BASE-T Fast Ethernet
- 18-bit TFT LCD support
- Extended temperature ready (optional)

Ethernet

- **Chipset** Intel® 82559ER, Intel® 82559
- **Interface** IEEE 802.3 10 Base-T, IEEE 802.3u 100 Base-TX Fast Ethernet Compatible
Built-in boot ROM in Flash BIOS (82559)

Display

- **Chipset** AMD CS5530A
- **Memory Size** 1 ~ 4 MB video frame buffer share the system memory
- **Resolution** Up to 1024 x 768 @ 24 bpp non-interlaced CRT and 1024 x 768 @ 18 bpp TFT LCD display. (supports 3.3V LCD)
- **LCD Interface** 18-bit TTL for TFT LCD only

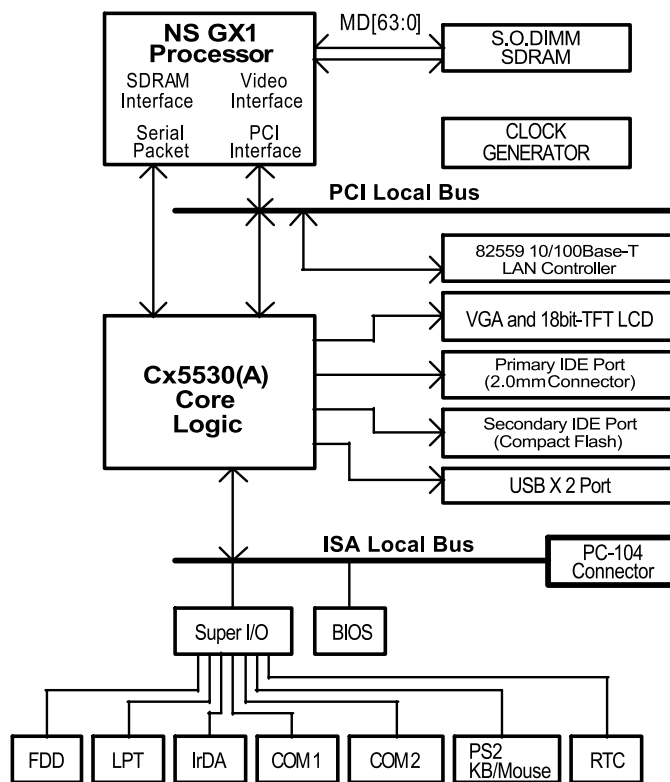
Mechanical and Environmental

- **Dimension (L x W)** 96 x 90 mm (3.8" x 3.5")
- **Weight** 0.097 kg (0.214 lb)
- **Operating Temperature** 0 ~ 60° C (32 ~ 104° F), operation
- **Operating Humidity** 0% ~ 90% relative humidity, non-condensing

Power

- **Power Supply Voltage**
- **Power Consumption** Typical: +5 V @ 1.04 A (w/AMD GX1, 128 MB SDRAM SODIMM, 10 MB CFC, 1 FDD, 1 HDD, 1 VGA, 1 LCD)
Max. : +5 V @ 1.35 A (w/AMD GX1, 128 MB SDRAM SODIMM, 10 MB CFC, 1 FDD, 1 HDD, 1 VGA, 1 LCD)

Board Diagram



Packing List

- 1 x PCM-3350 SBC
- 1 x KB/Mouse Y-cable EXT cable
- 1 x KB/Mouse Y-cable (2 PS/2)
- 1 x 26-34 Pin FDD adapter
- 1 x VGA cable
- 1 x Ethernet RJ-45 connector conversion cable
- 1 x IDE (HDD) cable
- 1 x COM port cable
- 1 x LPT port cable
- 1 x FFC Cable for Slim FDD
- 1 x Flat Cable for 5.25" & 3.5" FDD
- 1 x Start up manual
- 1 x CD-ROM (Manual, Driver, Utility)

(p/n:1700000533)
 (p/n:1700060202)
 (p/n:9681000044)
 (p/n:1701160150)
 (p/n:1701100202)
 (p/n:1701440350)
 (p/n:1700100250)
 (p/n:1700260250)
 (p/n:1701260125)
 (p/n:1701340700)

Ordering Information

Standard

- **PCM-3350F-G0A1** PC/104 AMD Geode GX1-300 CPU module with VGA/LCD, Ethernet, SSD
- **PCM-3350FCE-000** PCM-3350F with Windows® CE 3.0
- **PCM-3350FCE-001** PCM-3350F with Windows® CE .NET
- **PCM-3350Z-G0A1** PCM-3350F with Phoenix Gold Package (-20 ~ 80° C), operation
- **PCM-3350Z2-G0A1** PCM-3350F with Phoenix Platinum package (-40 ~ 85° C), operation

Optional Accessories

- **USB cable** (p/n:1703080258)
- **RS-422/485 cable** (p/n:1703040157)
- **USB cable w/o cable** (p/n:1703080259)