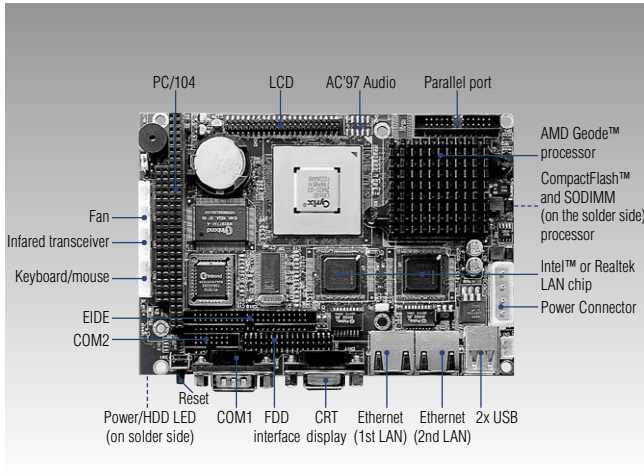


# PCM-5823

AMD Geode™ SBC with CPU, Audio, VGA/LCD and Dual LAN



## Features

- Compact and powerful at less than 8 W power consumption
- Dual 100Base-T Fast Ethernet
- 18-bit TFT LCD
- Optional audio module



## Specifications

- **CPU** Onboard AMD Geode processor  
GX1-300 MHz processor (PCM-5823-G0A2)  
GX1-233 MHz processor (PCM-5823-E0A2)
  - **2nd Cache Memory**
  - **System Chipset** AMD CX 5530
  - **BIOS** AWARD 256 kbit Flash BIOS
  - **System Memory** SDRAM SODIMM x 1, Max. 256 MB
  - **Power Management**
  - **SSD** Supports CompactFlash® card
  - **WatchDog Timer** Software enable/disable 1.6 sec.
  - **Expansion Interface** PC/104
  - **Battery** Lithium 3 V/196 mAh
- I/O**
- **I/O Interface** 1 x EIDE (Ultra DMA33), 1 x FDD, 1 x K/B, 1 x Mouse, 1 x RS-232/422/485, 1 x RS-232, 1 x LPT
  - **USB** 2 USB ports, USB 1.0 compliant
  - **Audio** AMD CX 5530, AC'97 2.0 compliant connector (optional Audio Module)
  - **IrDA** 115 kbps, IrDA 1.0 compliant
  - **GPIO** N/A
- Ethernet**
- **Chipset** RealTek 8139 (PCM-5823-E0A1) or Intel® 82559ER (PCM-5823-G0A1), optional Intel 82559
  - **Speed** 10/100 Mbps
  - **Interface** RJ45 connector
  - **Standard** Two IEEE 802.3u 100Base-T Fast Ethernet, Built-in Boot ROM in Flash BIOS

## Display

- **Chipset** AMD CX 5530
- **Memory Size** 1-4 MB UMA share memory
- **Resolution** up to 1024 x 768 @ 24 bpp non-interlaced CRT and 1024 x 768 @ 18 bpp TFT LCD display (supports 3.3 V LCD)
- **LCD Interface** 18-bit TTL for TFT LCD only
- **TV-Out** N/A
- **Dual Independent Display** N/A

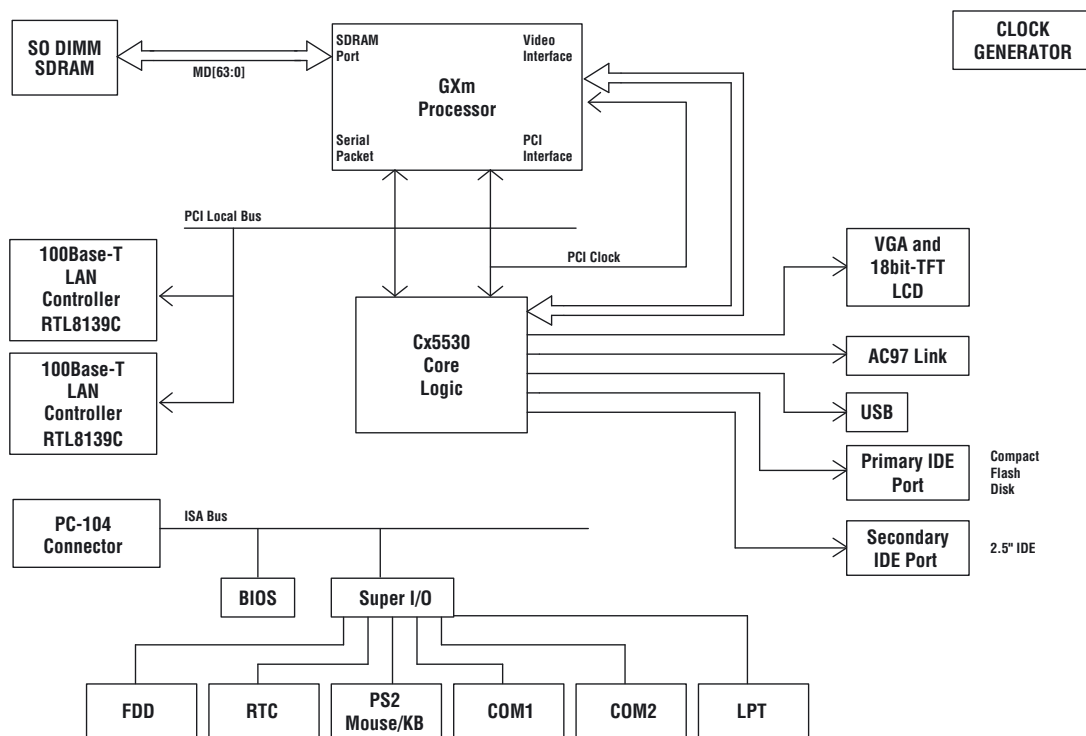
## Mechanical and Environmental

- **Dimension (L x W)** 145 mm x 102 mm (5.7" x 4")
- **Weight** 0.75 kg (weight of total package)
- **Operating Temperature** 0 ~ 60° C (32 ~ 140° F)
- **Operating Humidity** 0% ~ 90% Relative Humidity, noncondensing

## Power

- **Power Supply Voltage** +5 V ± 5%,
- **Power Consumption** Max. : 4 A @ +5 V  
Typical: 1.5 A @ +5 V  
(with GX1-300 CPU & 64 MB DRAM)

## Board Diagram



## Packing List

- 1 x PCM-5823 SBC
- 1 x Mini Jumper pack [count.: 10 pcs] (p/n: 9689000002)
- 1 x Keyboard & mouse cable (p/n: 1700000190)
- 1 x Cable for LPT port (p/n: 1700260250)
- 1 x COM2 cable (p/n: 1701140201)
- 1 x FDD cable (p/n: 1701340603)
- 1 x HDD cable (p/n: 1701440351)
- 1 x Start up manual
- 1 x Utility CD

## Ordering Information

### Standard

- **PCM-5823-E0A2** AMD Geode SBC with GX1-233 processor, VGA/LCD and Dual Ethernet (RTL 8139)
- **PCM-5823-G0A2** Same as PCM-5823-E0A2, but with GX1-300 processor and Intel 82559ER LAN chip

### Optional Accessories

- **MBPC-200-5823** MicroBox 3.5" Biscuit SBC chassis for PCM-5823
- **PS-50A** 50 W AC power supply for MBPC-200
- **PCM-231A-00A1** Audio module w/ line-in, line-out, mic