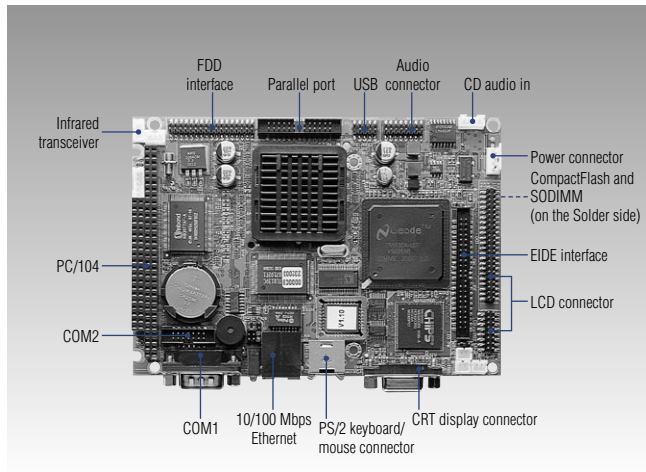


PCM-5824

AMD Geode™ SBC with CPU, Audio, STN LCD and LAN



Specifications

- **CPU** Onboard AMD Geode processor
GX1-233 MHz processor (PCM-5824-E0A1)
GX1-300 MHz processor (PCM-5824-G0A1)
 - **2nd Cache Memory**
 - **System Chipset** AMD CX 5530
 - **BIOS** AWARD 256 kbit Flash BIOS
 - **System Memory** SDRAM SODIMM x 1, Max. 256 MB
 - **Power Management**
 - **SSD** Supports CompactFlash® card
 - **WatchDog Timer** Software enable/disable 1.6 sec.
 - **Expansion Interface** PC/104
 - **Battery** Lithium 3 V/196 mA
- I/O**
- **I/O Interface** 1 x EIDE (Ultra DMA33), 1 x FDD, 1 x K/B, 1 x Mouse, 1 x RS-232/422/485, 1 x RS-232, 1 x LPT
 - **USB** 2 USB ports, USB 1.1 compliant
 - **Audio** AMD CX 5530, AC'97 2.0 compliant
 - **IrDA** 115 kbps, IrDA 1.0 compliant
 - **GPIO**
- Ethernet**
- **Chipset** RealTek 8139C
 - **Speed** 10/100Mbps (optional)
 - **Interface** RJ45 connector
 - **Standard** IEEE 802.3u 100Base-T Fast Ethernet compatible
Built-in boot ROM in Flash BIOS

Features

- Compact and powerful at less than 8 W power consumption
- Supports STN/DSTN/TFT LCD
- 100Base-T Fast Ethernet
- AC'97 PCI surround Audio

Display

- **Chipset** Asilient (C&T) 69000, Optional 69030
- **Memory Size** 2 MB on 69000 chip, Optional 4 MB on 69030
- **Resolution** LCD/Simultaneous Mode: 1280 x 1024 @ 8 bpp, 1024 x 768 @ 16 bpp, 800 x 600 @ 24 bpp
- **LCD Interface** Supports for up to SXGA TFT panel with 9, 12, 16, 18, 24, 36-bit and 8, 16, 24-bit STN, DSTN panels up to SVGA resolution
- **Dual Independent Display** N/A

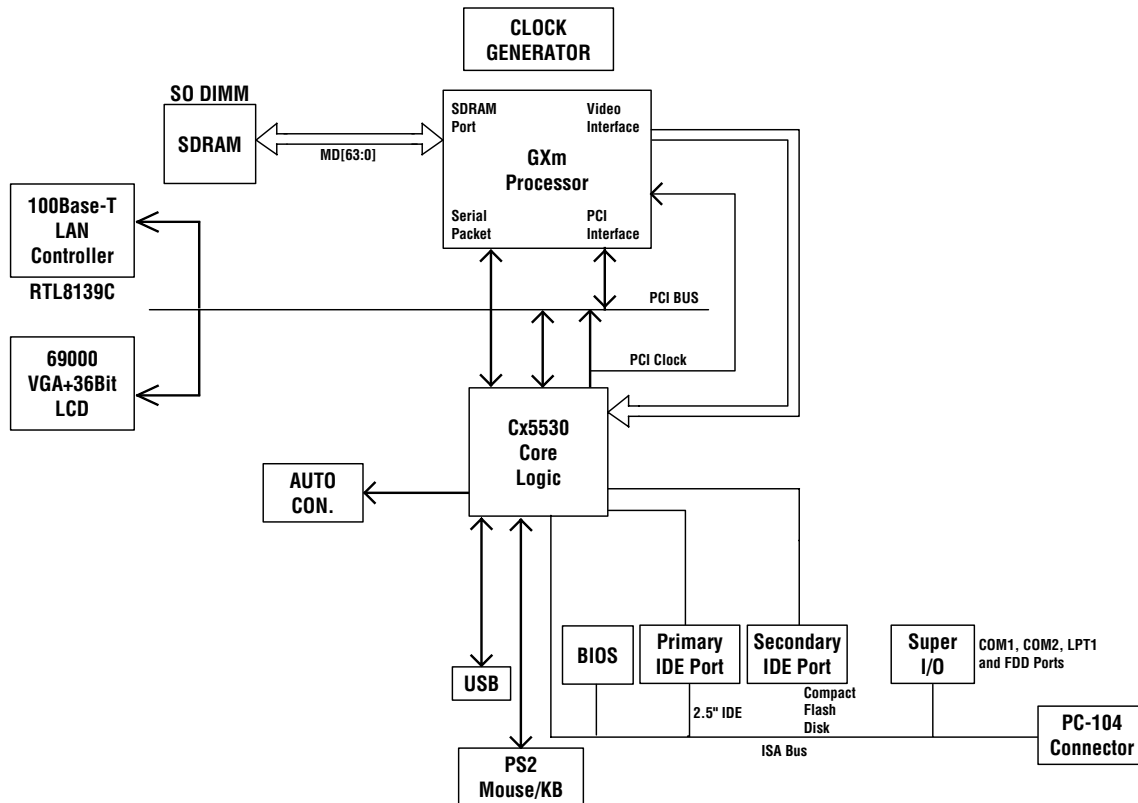
Mechanical and Environmental

- **Dimension (L x W)** 145 x 102 mm (5.7" x 4")
- **Weight** 0.75 kg (weight of total package)
- **Operating Temperature** 0 ~ 60° C (32 ~ 140° F)
- **Operating Humidity** 0% ~ 90% Relative Humidity, noncondensing

Power

- **Power Supply Voltage** +5 V ± 5%,
Max. : 4 A @ +5 V
- **Power Consumption** Typical: 1.5 A @ +5 V
(with GX1-300 CPU & 64 MB DRAM)

Board Diagram



Packing List

- | | |
|---|-------------------|
| ▪ 1 x PCM-5824 SBC | (p/n: 9689000002) |
| ▪ 1 x Mini Jumper pack [count.: 10 pcs] | (p/n:1700060202) |
| ▪ 1 x Keyboard & mouse cable 6P-6P-6P | (p/n:1700160160) |
| ▪ 1 x Audio cable for PCM-5820 | (p/n:1700260250) |
| ▪ 1 x Cable for LPT port | (p/n:1701140201) |
| ▪ 1 x COM2 cable | (p/n:1701340603) |
| ▪ 1 x FDD cable | (p/n:1701440351) |
| ▪ 1 x HDD cable | (p/n:1703100260) |
| ▪ 1 x USB cable | |
| ▪ 1 x Startup manual | |
| ▪ 1 x Utility CD | |

Ordering Information

Standard

- **PCM-5824-E0A1** AMD Geode SBC with GX1-233 processor, Audio, STN/LCD and Ethernet
- **PCM-5824-G0A1** Same as PCM-5824-E0A1 but w/GX1-300 CPU