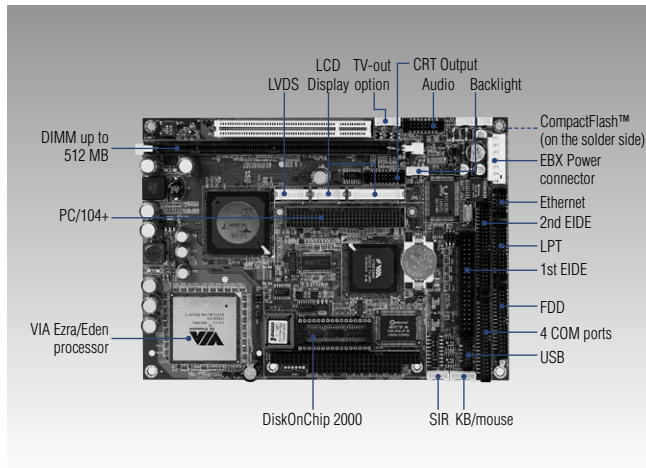


PCM-9575

Low Power VIA Eden SBC with CPU, Audio, VGA/LCD and LAN



Features

- Embedded low power VIA Eden 400/667 MHz processor or VIA C3-LP 1G CPU with fan
- Fanless, 0 ~ 60° C operation (Eden 400/ Eden 667)
- Applied EBX form factor standard and support PC/104-Plus bus
- Support Wake-on-LAN, Wake-on-Modem
- Support LCD backlight turn-off function
- 100/133 MHz FSB and 4 x AGP graphics for high performance applications



Specifications

General

- **CPU** Embedded VIA low power Eden processor, on-die 128 KB L1 cache memory, Eden-400/Eden-667/C3-LP 1G
- **2nd Cache Memory** 64 KB on the Eden/C3 LP processor
- **System Chipset** VT8606, VT82C686B, 133 MHz FSB
- **BIOS** AWARD 256 kbit Flash BIOS
- **System Memory** SDRAM 168-pin DIMM x 1, Max: 512 MB
PC133 DIMM for all models, optional PC100 DIMM for PCM-9575-JOA2
- **Power Management** APM 1.1, ACPI Support
- **SSD** CompactFlash® card Type I/II and DiskOnChip®
- **WatchDog Timer** 1 - 62 sec, 62 level timer intervals, system reset or IRQ11
- **Expansion Interface** PC/104-Plus (ISA & PCI) and PCI slot
- **Battery** Lithium 3 V/196 mAh

I/O

- **I/O Interface** 2 x EIDE (Ultra DMA100), 1 x FDD, 1 x K/B, 1 x Mouse, 1 x RS-232/422/485, 3 x RS-232, 1 x LPT
- **USB** 4 USB ports, USB 1.1 compliant
- **Audio** VIA 82C686 support AC'97 2.0 compliant, Mic-in, Line-in, CD Audio-in, Line-out, Speaker-out
- **IrDA** 115 kbps, IrDA 1.1 compliant
- **GPIO** N/A

Ethernet

- **Chipset** RealTek RTL8139C
- **Speed** 10/100 Mbps (optional)
- **Interface** RJ45 by cable
- **Standard** IEEE 802.3u 100BASE-T Fast Ethernet compatible
Built-in boot ROM in Flash BIOS

Display

- **Chipset** VIA Twister chip with Integrated S3 Savage4 2D/3D/Video Accelerator
- **Memory Size** 8/16/32 MB frame buffer using system memory
- **Resolution** CRT Mode: 1280 x 1024 @ 16 bpp (60 Hz), 1024 x 768 @ 16 bpp (85 Hz)
LCD/Simultaneous Mode: 1280 x 1024 @ 16 bpp (60 Hz), 1024 x 768 @ 16 bpp (60 Hz)
- **LCD Interface** 4x AGP VGA/LCD interface, Support for 9, 12, 18, 24, 36-bit TFT and 16 or 24-bit DSTN panels up to SXGA resolution.
- **LVDS** 2-Channel (2 x 18-bit) LVDS interface
- **TV-Out (optional)** Supports both NTSC/PAL, S-video and Composite Video
- **Dual Independent Display** N/A

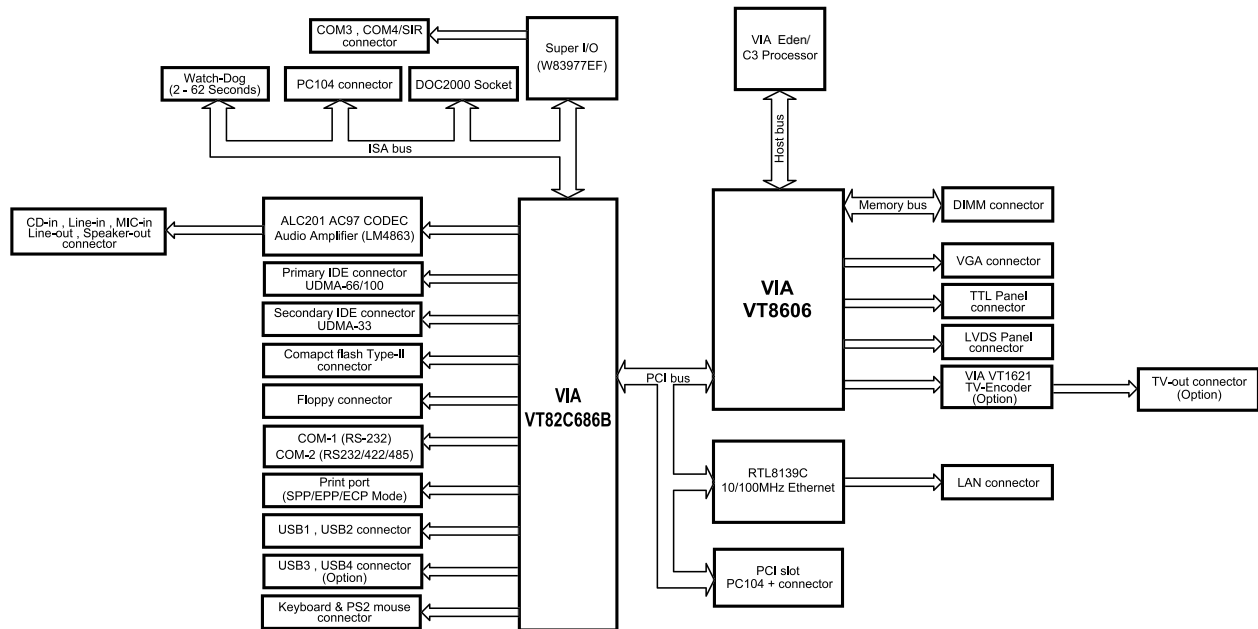
Mechanical and Environmental

- **Dimension (L x W)** 203 x 146 mm (8" x 5.75")
- **Weight** 0.85 kg (weight of total package)
- **Operating Temperature** 0 ~ 60° C (32 ~ 140° F)
- **Operating Humidity** 0% ~ 90% Relative Humidity, non condensing

Power

- **Power Supply Voltage** +5 V ± 5%
- **Power Consumption** Max. : 4.5 A @ +5 V
Typical: 2.88 A @ +5 V (with 256 MB DRAM, Eden 400 MHz CPU)
3.4 A @ +5 V (with 256 MB DRAM, Ezra 800 MHz CPU)

Board Diagram



Packing List

- 1 x PCM-9575 SBC
- 1 x Mini Jumper Pack [count.: 10 pcs] (p/n: 968900002)
- 1 x Startup Manual
- 1 x Utility CD
- 1 x EBX 7P-4P Power Cable (p/n: 1703080101)

Ordering Information

Standard

- **PCM-9575F-J0A2** EBX Edent 400 CPU/VGA/LCD/LVDS/Ethernet/Audio/SSD
- **PCM-9575F-M0A2** EBX Edent 667/CPU/VGA/LCD/LVDS/Ethernet Audio/SSD
- **PCM-9575F-S1A2** EBX C3-LP 1G/CPU/VGA/LCD/LVDS/Ethernet Audio/SSD

Optional Accessories

- **PCM-10586-5A00** Wiring kit for PCM-9575
- **PCM-200-00A2** PC/104-Plus to PCI adapter
- **1703070101** ATX power control cable
- **1703050306** TV-out cable 200201 ATX power control cable