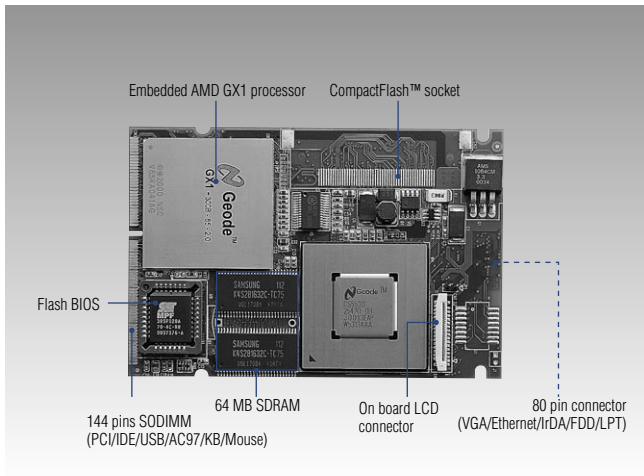


# SOM-2353

SOM-144 Module w/CPU, VGA/LCD,  
Audio, SSD & LAN



## Features

- Embedded AMD Geode processor
- 18-bit LCD interface
- AC'97 V 2.0 Audio
- Less than 8 watts of power consumption



## Specifications

- **CPU** Onboard AMD Geode GX1-300 MHz processor
- **System Memory** 64 MB SDRAM on board, up to 128 MB
- **Chipset** AMD CS 5530
- **BIOS** AWARD 256 KB Flash BIOS
- **SSD** Supports CompactFlash® card
- **Expansion Interface** 144-pin SODIMM socket provides PCI
- **Battery** Lithium 3 V/196 mA

### I/O

- **MIO** 1 x EIDE (Ultra DMA33), 1 x FDD/LPT, 1 x K/B, 1 x Mouse, 2 x RS-232
- **IrDA** 115 Kbps, IrDA 1.0 compliant
- **Audio** AC'97 2.0 compliant
- **USB** 2 USB ports, USB 1.1 compliant

### Ethernet

- **Chipset** RTL8139C
- **Ethernet Interface** IEEE 802.3u 100Base-T Fast Ethernet  
Built-in boot ROM (RTL8139C)

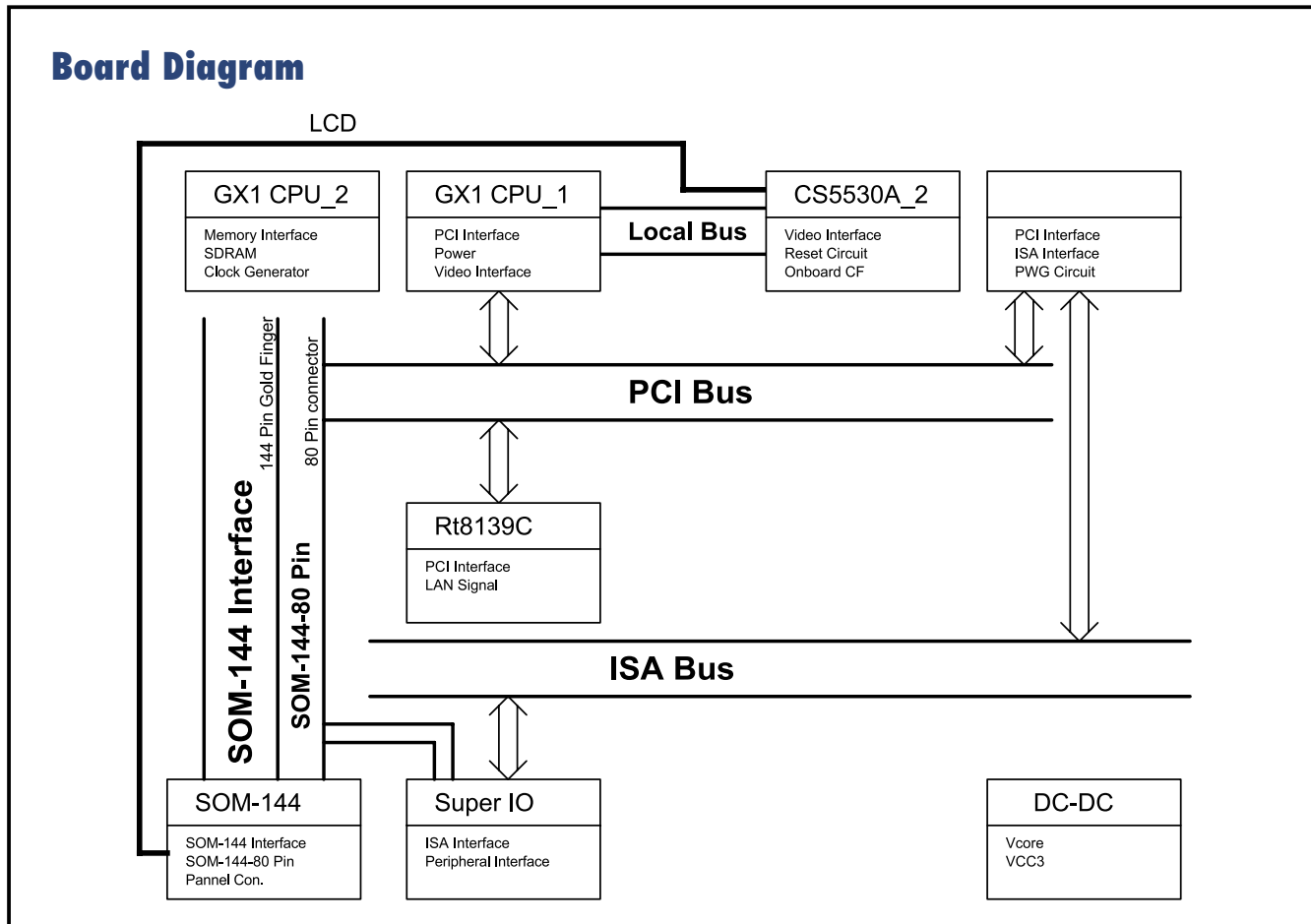
### Display

- **Chipset** AMD CS 5530
- **Memory Size** 1- 4 MB UMA share memory
- **Resolution** CRT Mode: 1024 x 768 @ 24 bpp (60 Hz)  
LCD/Simultaneous Mode: 1024 x 768 @ 16 bpp (60 Hz)
- **LCD Interface** 18-bit TFT panels up to XGA resolution

### Mechanical and Environmental

- **Dimensions (L x W)** 68 x 100 mm (3.4" x 3.9")
- **Power Supply Voltage** +5V ±5%
- **Power Requirements** Max. : 5 V @ 4 A  
Typical : 5 V @ 1.5 A
- **Operating Temperature** 0 - 60° C (32 - 140° F), fanless operation
- **Operating Humidity** 0 - 90% relative humidity, noncondensing

## Board Diagram



## Ordering Information

- **SOM-2353F-GDA1** AMD SOM-144 Module w/GX1-300, 64MB RAM, VGA/LCD, Audio, SSD & LAN
- **SOM-2353P-GDA1** AMD SOM-144 Module w/GX1-300, 64MB RAM, VGA/LCD & Audio
- **SOM-DK2353F-C01** Windows® CE 3.0 Development Kit for SOM-2353F
- **SOM-DB2300** SOM-144 Development Board