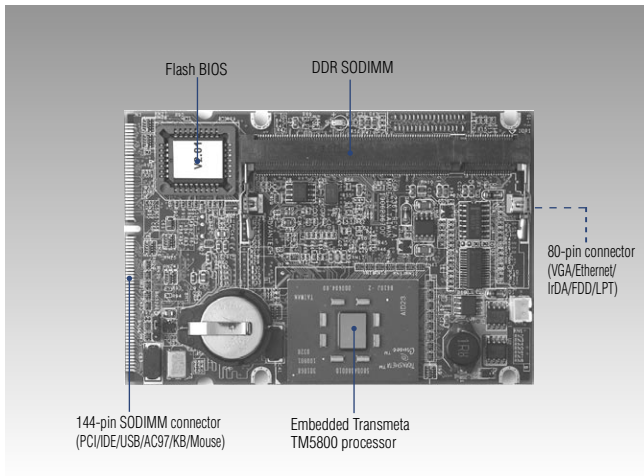


SOM-2367

Transmeta SOM-144 Module w/CPU,
Audio & LAN with DDR SDRAM support



Features

- Transmeta TM5800 on board (800 MHz)
- Supports DDR SDRAM (Max 512 MB)
- USB & AC'97
- Two RS-232, IDE, LPT, FDD



Specifications

- **CPU** Onboard Transmeta TM5800-800 processor
- **System Memory** DDR SDRAM SO-DIMM x 1 (Max. 512 MB)
- **BIOS** Award 2 Mbit Flash BIOS
- **Extending BUS I/F** 144-pin SODIMM socket provides PCI
- **Battery** Lithium 3 V/196 mA

I/O

- **MIO** 1 x EIDE, 1 x FDD/LPT, 1 x K/B, 1 x Mouse, 2 x RS-232
- **USB** 2 USB ports, USB 1.1 compliant
- **IrDA** 115 Kbps Serial infrared (SIR) port
- **Audio** AC'97

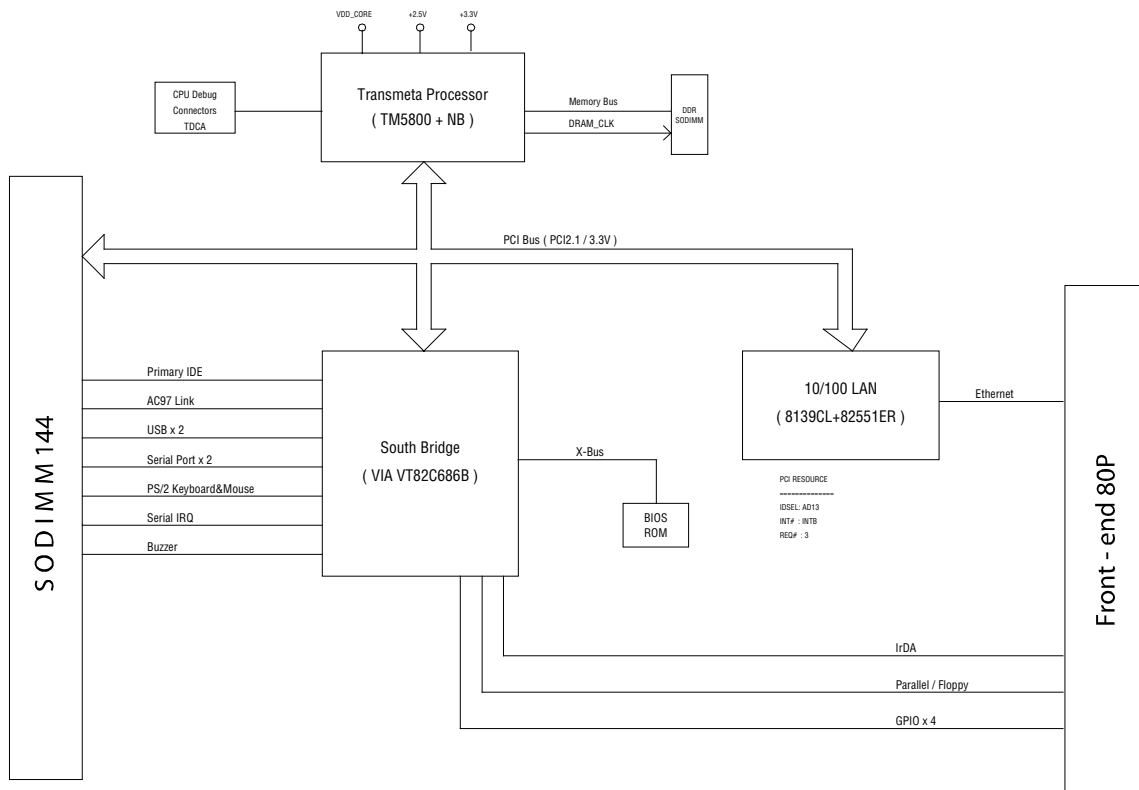
Ethernet

- **Chipset** RTL8139C (optional Intel 82551ER)
- **Interface** IEEE 802.3u 100Base-T Fast Ethernet compatible

Mechanical and Environmental

- **Dimensions (L x W)** 68 x 100 mm (3.4" x 3.9")
- **Power Supply Voltage** +5 V \pm 5%
Max: 5 V @ 3 A
Typical: 5 V @ 1.5 A
- **Operating Temperature** 0 ~ 60° C (32 ~ 140° F)
- **Operating Humidity** 0% ~ 90% Relative Humidity, noncondensing
- **Weight** 0.05 kg (0.11lb)

Board Diagram



Ordering Information

- **SOM-2367N-Q0A1** Transmeta SOM-144 Module w/TM5800-800 CPU, Audio & LAN
- **SOM-2367L-Q0A1** Transmeta SOM-144 Module w/TM5800-800 CPU & Audio
- **SOM-DB2300** SOM-144 Development Board