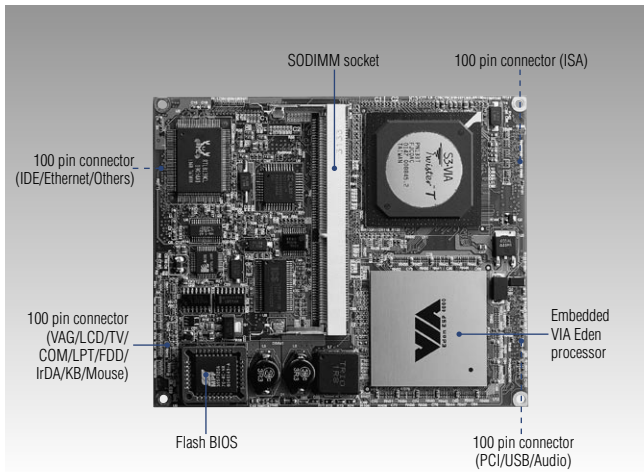


SOM-4472

VIA SOM-ETX Module w/CPU, VGA,
LCD/LVDS, Audio, LAN & TV-out



Specifications

- **CPU** VIA low power Eden Processor
- **System Memory** SDRAM SO-DIMM x 1, Max. 512 MB (optional 1 GB)
- **2nd Cache Memory** 64 KB on CPU
- **System Chipset** VIA 8606 (Twister T)/ 82C686
- **BIOS** AWARD 256 KB Flash BIOS
- **Watchdog Timer** 1 - 62 sec, system reset
- **Expansion Interface** PCI/ISA bus

I/O

- **MIO** 2 x EIDE (Ultra DMA66), 1 x FDD/LPT, 1 x K/B, 1 x Mouse, 2 x RS-232
- **IrDA** 115 Kbps, IrDA 1.1 compliant
- **Audio** VT 82C686 supports AC'97 2.0 compliant, Mic in, Line in, Line out
- **USB** 4 USB ports, USB 1.1 compliant

Ethernet

- **Chipset** RTL 8139
- **Ethernet Interface** IEEE 802.3u 100BASE -T Fast Ethernet
Built-in boot ROM

Features

- Embedded VIA Eden processor
- Fanless, 0 ~ 60° C operation (SOM-4472F-J0A2 & SOM-4472FL-J0A2)
- ETX form factor
- Powerful multimedia capability
- 18-bit LCD/ 2-channel LVDS interface

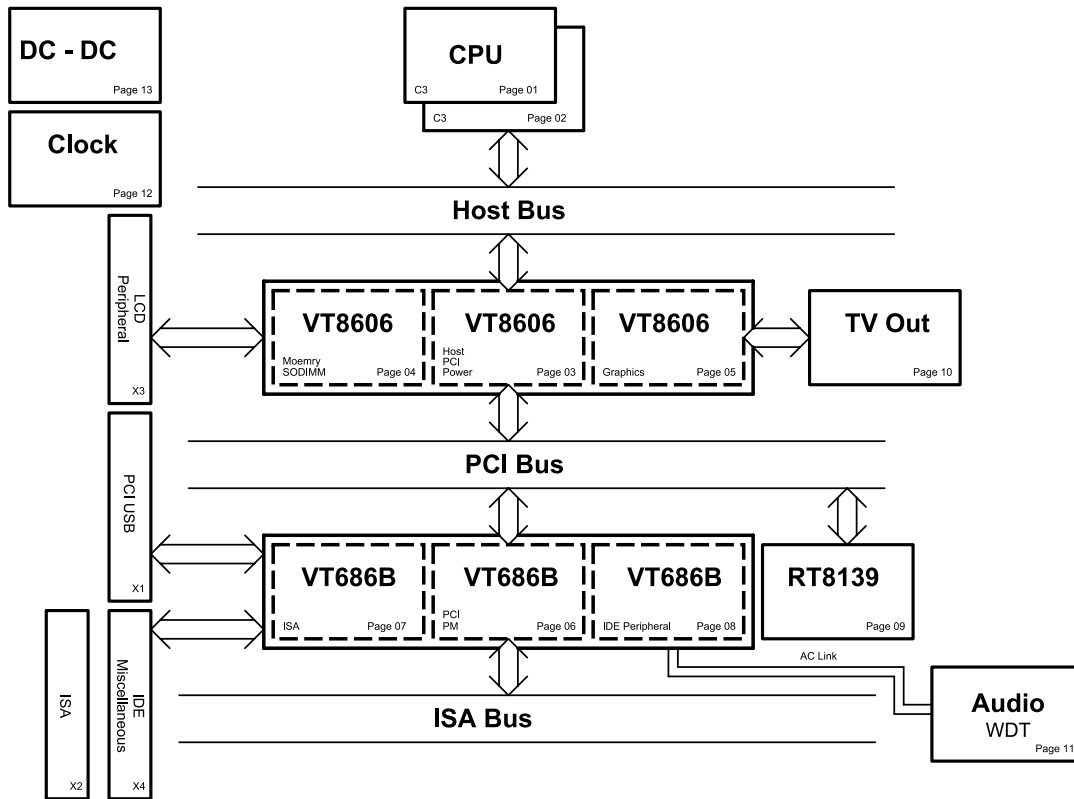
Display

- **Chipset** VIA Twister chip with Integrated S3 Savage4 2D/3D/ Video Accelerator
- **Memory Size** 8/16/32/64 MB frame buffer using system memory
- **Resolution**
CRT Mode:
1280 x 1024 @ 16 bpp (60 Hz),
1024 x 768 @ 16 bpp (85 Hz)
LCD/Simultaneous Mode:
1280 x 1024 @ 16 bpp (60 Hz),
1024 x 768 @ 16 bpp (60 Hz)
- **LCD Interface** 4x AGP VGA/LCD interface. Supports 18-bit TFT panels up to XGA resolution
- **LVDS Interface** 2 Channel (2 x 18-bit) LVDS interface
- **TV-Out** Supports both NTSC/PAL

Mechanical and Environmental

- **Dimensions (L x W)** 95 x 114 mm (3.7" x 4.5")
- **Power Supply Voltage** +5 V ± 5%
- **Power Requirements** Max. : 5 V @ 4.5 A
Typical: 5 V @ 2.78 A (w/Eden400 + 256 MB RAM)
Typical: 5 V @ 3.0 A (w/Eden667 + 256 MB RAM)
- **Operating Temperature** 0 ~ 60° C (32 ~ 140° F)

Board Diagram



Ordering Information

Standard

- **SOM-4472F-M0A2** SOM-ETX w/VIA Eden 667 MHz/VGA/LCD/LAN/Audio/TV-out
- **SOM-4472F-J0A2** SOM-ETX w/VIA Eden 400 MHz/VGA/LCD/LAN/Audio/TV-out
- **SOM-4472FL-M0A2** SOM-ETX w/VIA Eden 667 MHz/VGA/LVDS/LAN/Audio/TV-out
- **SOM-4472FL-J0A2** SOM-ETX w/VIA Eden 400 MHz/VGA/LVDS/LAN/Audio/TV-out
- **SOM-DK4472F-042** Windows CE 4.2 Development Kit for SOM-4472F
- **SOM-DB4400-00A2** SOM-ETX Development Board Rev. A2

Optional

- **SOM-FANKIT-1000** Fan Kit for SOM-ETX Module.