

UNO-3062

Front Access Fanless PC with Two PCI Extensions

NEW



CE FCC

Features

- On-board Celeron® 400/650 MHz, 256/512 MB SDRAM
- Provides 512 KB battery-backup RAM
- Two RS-232 and two RS-232/422/485 ports with RS-485 automatic flow control
- Two 10/100Base-T RJ-45 ports and four USB ports
- Two free PCI-bus slots extension for versatile applications
- Industrial proven design; anti-shock up to 50G, anti-vibration up to 2G
- 4-ch isolated DI, 4-ch isolated DO with timer, counter and interrupt handling
- Windows® XP embedded ready solution
- Windows® 2000/XP driver ready
- All connectors at front side of housing
- Flexible mounting plates on three sides (optional)
- Support dual power inputs

Introduction

Advantech's UNO-3062 is a Pentium® III grade, industrial fanless PC which comes with two PCI extensions. The UNO-3062 features a rugged and field-proven design offering dual power inputs and battery backup SRAM. Different from general industrial PCs, the UNO-3062 is more compact and reliable. The UNO-3062 is an open platform which can fulfill any demanding requirement from the industrial field, and it is an ideal solution for industrial automation and control.

Front Access Connections from Control Cabinet

Unlike traditional PC design, all connections of the UNO-3062 are located on the front panel. This makes wiring and maintenance significantly simpler. Moreover, the UNO-3062 is also very compact at only 140W x 177H x 237D mm, which means installation in a control cabinet is easy.

Embedded OS Ready for Rapid Application Development

UNO-3062 provides an embedded operating system with a pre-configured image that has optimized on-board device drivers. UNO-3062 supports Microsoft® Windows® XP Embedded. It fulfills the toughest requirements for complete functionality and high reliability.

Specifications

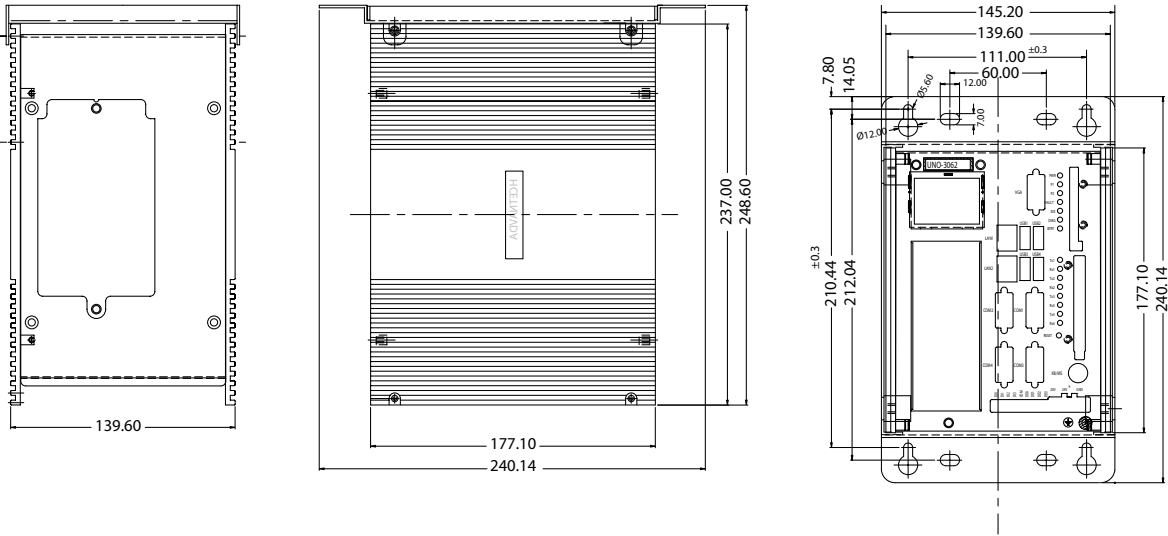
- CPU** Celeron®-400/650 MHz Ultra low-voltage version
- Memory** 256/512 MB SDRAM on board (Default: 256)
- Battery-backup RAM** 512 KB
- BIOS** Award 256 KB flash memory
- VGA/Keyboard/Mouse** DB-15 VGA Connector, PS/2 keyboard & mouse
- Clock** Battery-backup RTC for time and date
- Serial Port** 2 x RS-232 and 2 x RS-232/422/485 with DB-9 connector
- Automatic RS-485 data flow control**
- Speed**
 - RS-232: 50 bps ~ 115.2 kbps
 - RS-422/485: 50 bps ~ 921.6 kbps
- LAN** Two 10/100Base-T RJ-45 Ports
- USB Interface** Four USB ports, USB UHCI, Rev. 1.1 compliant
- SSD** One internal type I/II CompactFlash® slot
One external type I/II CompactFlash® slot (UNO-3062 only)
- LEDs** Power, Power input 1, Power input 2, Power fault, IDE, Diagnosis, Alarm for battery backup
- PC Card** One PC Card Slot (UNO-3062 only)
Supports CardBus (Card-32) Card and 16-bit (PCMCIA 2.1/JEIDA4.2) Card
- PCI-bus Slots** Supports +5V, +3.3V and +12V@120mA working power
Two PCI-bus slots, a total of:
 - 12 V @ 2.5 A
 - 12 V @ 0.8 A
 - +5 V @ 4 A
 - +3.3 V @ 3 A
- 4-ch Isolated Digital Input (DI0-DI3)**
 - 2,000 V_{DC} isolation
 - 2,000 V_{DC} ESD protection
 - 70 V_{DC} over-voltage protection
 - 0 ~ 50 V_{DC} input range and 10 kHz speed
 - Interrupt handling, speed: 10 kHz

- 4-ch Isolated Digital Output (DO0-DO3)**
 - 2,000 V_{DC} isolation and 200 mA max/channel sink current
 - Keep output status after system hot reset
 - 5 ~ 40 V_{DC} output range and 10 kHz speed
- Two 16-bit counters/timers**
 - Counter source: DI1 & DI3, Pulse output: DO2 & DO3
 - Can be cascaded as one 32-bit counter/timer
 - Down counting, preset counting value
 - Timer time base: 100 kHz, 10 kHz, 1 kHz, 100 Hz
- HDD** HDD extension kit is offered for installation of one standard 2.5" HDD (Option)
- Anti-Shock**
 - 20 G @ Wall mounting, IEC 68 section 2-27, half sine, 11 ms w/HDD
 - 50 G @ Wall mounting, IEC 68 section 2-27, half sine, 11 ms w/CF
- Anti-Vibration**
 - 2 Grms w/ CF @ IEC 68 section 2-64, random, 5 ~ 500 Hz, 1 Oct./min, 1hr/axis.
 - 0.5 Grms w/ HDD @ IEC 68 section 2-64, random, 5 ~ 500 Hz, 1 Oct./min, 1hr/axis
- Power Supply** 16 ~ 36 V_{DC}
- Operating Temperature** -10~50° C (14 ~ 122° F) @ 5~85% relative humidity
- Relative Humidity** 95% @ 40° C
- Power Consumption** UNO-3062 with Celeron® 650 MHz: 24 W (Typical)
UNO-3062 with Celeron® 400 MHz: 22 W (Typical)
- Power Requirement** Min-48 W, +24 V @ 2 A
- Chassis Size (WxHxD)** 140 x 177 x 237 mm (5.5" x 7.0" x 9.3")
- Mounting** Wall/panel mounting
- Weight** 3 kg

Software

- OS** Windows® XP Embedded, Windows® 2000/XP, Linux®

Dimensions



Ordering Information

- **UNO-3062-JEA0** Celeron® 400 MHz, 256 MB SDRAM Front Access Fanless PC
- **UNO-3062-KEA0** Celeron® 400 MHz, 512 MB SDRAM Front Access Fanless PC
- **UNO-3062-LEA0** Celeron® 650 MHz, 256 MB SDRAM Front Access Fanless PC
- **UNO-3062-MEA0** Celeron® 650 MHz, 512 MB SDRAM Front Access Fanless PC
- **UNO-3062XP-JHA0** Celeron® 400MHz, 256MB SDRAM, Front Access Fanless PC, with 512MB industrial-grade CF and Windows® XP Embedded
- **UNO-3062XP-KHA0** Celeron® 400MHz, 512MB SDRAM, Front Access Fanless PC, with 512MB industrial-grade CF and Windows® XP Embedded
- **UNO-3062XP-LHA0** Celeron® 650MHz, 256MB SDRAM, Front Access Fanless PC, with 512MB industrial-grade CF and Windows® XP Embedded
- **UNO-3062XP-MHA0** Celeron® 650MHz, 512MB SDRAM, Front Access Fanless PC, with 512MB industrial-grade CF and Windows® XP Embedded



Front Access Connections from Control Cabinet

Unlike traditional PC design, all connections of the UNO-3062 are located on the front panel. This makes wiring and maintenance significantly simpler. Moreover, the UNO-3062 is also very compact at only 140Wx 177H x 237D mm, which means installation in a control cabinet is easy.